

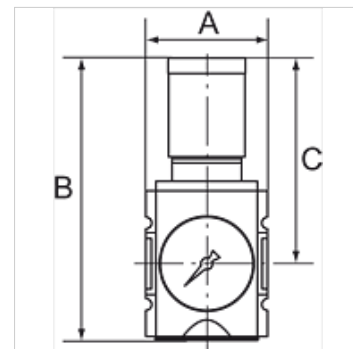
# K-DRG DRVS HANSA

Pressure regulators with continuous pressure supply

**HANSA FLEX**

## Vlastnosti

Vstupný tlak	Max. 16 bar
Rozsah teplôt	-10 °C to +50 °C
Médiá	Tlakový vzduch
Pripojovací závit	Material: Die-cast zinc
Kryt	Material: Grivory® (PA 66)
Membrána	NBR
Spotreba vlastného vzduchu	only G3/4, G1 Max. 1.5 l/min (depending on secondary pressure)
Meranie prietoku množstva	At P1 = 10 bar, P2 = 6.3 bar and pressure drop $\Delta p = 1$ bar



## Poznámka

Ďalšie údaje na vyžiadanie.

## Popis

Diaphragm pressure regulators with self-relieving design and excellent flow rates in modern design for mounting side by side. By assembling two or more controllers together, it is possible to supply several working air circuits with different output pressures via a single supply line. The regulator button can be latched and locked.

## Pokyny pre objednanie

The price does not include a key lock. Please order separately.

## Výrobok

Označenie	Závit	Rozsah regulácie	Prietok (L/min)	A: (mm)	B	C (mm)	Veľkosť
K- 07 25 02 51	G 1/4	0.1 - 1 bar	2200	52,0	128,5 mm	95,5	1
K- 07 25 02 52	G 1/4	0.1 - 2 bar	2200	52,0	128,5 mm	95,5	1
K- 07 25 02 53	G 1/4	0.2 - 4 bar	2200	52,0	128,5 mm	95,5	1
K- 07 25 02 54	G 1/4	0.5 - 8 bar	2200	52,0	128,5 mm	95,5	1
K- 07 25 02 55	G 1/4	0.5 - 10 bar	2200	52,0	128,5 mm	95,5	1
K- 07 25 02 56	G 1/4	0.5 - 16 bar	2200	52,0	128,5 mm	95,5	1
K- 07 25 02 69	G 3/8	0.1 - 1 bar	2600	52,0	128,5 mm	95,5	1
K- 07 25 02 70	G 3/8	0.1 - 2 bar	2600	52,0	128,5 mm	95,5	1
K- 07 25 02 71	G 3/8	0.2 - 4 bar	2600	52,0	128,5 mm	95,5	1
K- 07 25 02 72	G 3/8	0.5 - 8 bar	2600	52,0	128,5 mm	95,5	1
K- 07 25 02 73	G 3/8	0.5 - 10 bar	2600	52,0	128,5 mm	95,5	1
K- 07 25 02 74	G 3/8	0.5 - 16 bar	2600	52,0	128,5 mm	95,5	1
K- 07 25 02 57	G 3/8	0.1 - 1 bar	4300	63,0	149,5 mm	110,0	2
K- 07 25 02 58	G 3/8	0.1 - 2 bar	4300	63,0	149,5 mm	110,0	2
K- 07 25 02 59	G 3/8	0.2 - 4 bar	4300	63,0	149,5 mm	110,0	2
K- 07 25 02 60	G 3/8	0.5 - 8 bar	4300	63,0	149,5 mm	110,0	2
K- 07 25 02 61	G 3/8	0.5 - 10 bar	4300	63,0	149,5 mm	110,0	2
K- 07 25 02 62	G 3/8	0.5 - 16 bar	4300	63,0	149,5 mm	110,0	2
K- 07 25 02 63	G 1/2	0.1 - 1 bar	5000	63,0	149,5 mm	110,0	2
K- 07 25 02 64	G 1/2	0.1 - 2 bar	5000	63,0	149,5 mm	110,0	2
K- 07 25 02 65	G 1/2	0.2 - 4 bar	5000	63,0	149,5 mm	110,0	2
K- 07 25 02 66	G 1/2	0.5 - 8 bar	5000	63,0	149,5 mm	110,0	2
K- 07 25 02 67	G 1/2	0.5 - 10 bar	5000	63,0	149,5 mm	110,0	2
K- 07 25 02 68	G 1/2	0.5 - 16 bar	5000	63,0	149,5 mm	110,0	2

## Príslušenstvo

K-STECKSCHLOSS Key lock

## Náhradné diely

K-HALTERBAUSATZ HANSA	Holder HANSA
K-SCHALTTAFELMUTTER HANSA	Nut HANSA
K-DICHTSATZ HANSA	Set of seals HANSA