

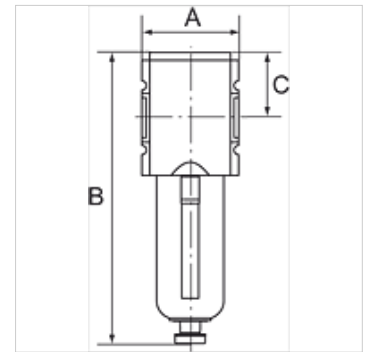
# K-VORFIL PC-BEHLTER SCHUTZK HANSA

Pre-filters

**HANSA FLEX**

## Vlastnosti

Vstupný tlak	1.5 - 16 bar
Rozsah teplôt	-10 °C to +50 °C
Médiá	Tlakový vzduch
Jemnosť filtra	0,30 µm
Pripojovací závit	Material: Die-cast zinc
Zásobník	Polycarbonate (with bayonet lock)
filtračná vložka	Impregnated paper
Kryt	Material: Grivory® (PA 66)
ochranný košík	Polyamide
Meranie prietoku množstva	At P2 = 6 bar, pressure drop $\Delta p = 0.5$ bar



## Poznámka

Ďalšie údaje na vyžiadanie.

## Popis

Pre-filters in modern design for compliance with strict compressed air purity requirements. Pre-filters are used to separate solid impurities up to 0.3 µm from compressed air and gases.

## Výrobok

Označenie	Závit	Prietok (L/min)	A: (mm)	B	C (mm)	Vypúšťanie kondenzátu
K- 07 25 10 25	G 1/4	500	52,0	169,5 mm	39,5	Semi
K- 07 25 10 26	G 3/8	500	52,0	169,5 mm	39,5	Semi
K- 07 25 10 27	G 3/8	750	63,0	195,0 mm	47,8	Semi
K- 07 25 10 28	G 1/2	750	63,0	195,0 mm	47,8	Semi
K- 07 25 10 15	G 3/4	2000	85,0	255,0 mm	63,0	Semi
K- 07 25 10 16	G 1	2000	85,0	255,0 mm	63,0	Semi
K- 07 25 10 29	G 1/4	500	52,0	186,5 mm	39,5	Auto
K- 07 25 10 30	G 3/8	500	52,0	186,5 mm	39,5	Auto
K- 07 25 10 31	G 3/8	750	63,0	210,5 mm	47,8	Auto
K- 07 25 10 32	G 1/2	750	63,0	210,5 mm	47,8	Auto
K- 07 25 10 17	G 3/4	2000	85,0	269,0 mm	63,0	Auto
K- 07 25 10 18	G 1	2000	85,0	269,0 mm	63,0	Auto

## Náhradné diely

K-HALTERBAUSATZ HANSA	Holder HANSA
K-ERSATZBEHAELTER HANSA POLY	Spare tank HANSA polycarbonat
K-DIFFERENZDRUCKKANZEI MONO	Differential pressure and differential pressure gauge
K-DIFFERENZDRUCKMANOMETER	Differential pressure gauge