

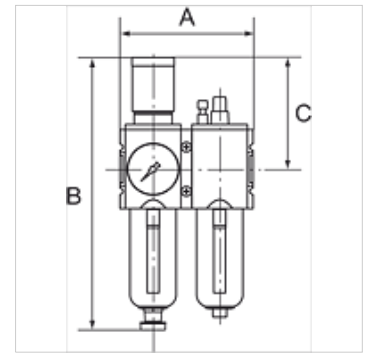
K-WTEH 2-TLG PC SCHU MANO HANSA

Service units, 2-piece with polycarbonate bowl, bowl guard and pressure gauge

HANSA FLEX

Vlastnosti

Vstupný tlak	1.5 - 16 bar
Výstupný tlak	0.5 - 8 bar
Rozsah teplôt	-10 °C to +50 °C
Médiá	Tlakový vzduch
Jemnosť filtra	5,00 µm
Pripojovací závit	Material: Die-cast zinc
Zásobník	Polycarbonate (with bayonet lock)
filtračná vložka	Cellpor (PE)
Kryt	Material: Grivory® (PA 66)
Membrána	NBR
ochranný košík	Polyamide
Vložka kvapkadla	PA
Spotreba vlastného vzduchu	Max. 1.5 l/min (depending on secondary pressure)
Meranie prietoku množstva	At P1 = 10 bar, P2 = 6.3 bar and pressure drop $\Delta p = 1$ bar



Poznámka

Ďalšie údaje na vyžiadanie.

Popis

Two or three-piece service units with excellent flow rates in modern design. Lockable diaphragm pressure regulator with secondary ventilation, oil can be filled without interrupting operation.

Pokyny pre objednanie

The price does not include a key lock. Please order separately.

Výrobok

Označenie	Závit	Prietok (L/min)	A: (mm)	B	C (mm)	Vypúšťanie kondenzátu
K- 07 25 14 77	G 1/4	1800	104,0	225,0 mm	95,5	Semi
K- 07 25 14 78	G 3/8	1800	104,0	225,0 mm	95,5	Semi
K- 07 25 14 79	G 3/8	3500	126,0	257,0 mm	110,0	Semi
K- 07 25 14 80	G 1/2	3500	126,0	257,0 mm	110,0	Semi
K- 07 25 14 81	G 3/4	12000	170,0	329,0 mm	137,0	Semi
K- 07 25 14 82	G 1	12000	170,0	329,0 mm	137,0	Semi
K- 07 25 14 83	G 1/4	1800	104,0	243,0 mm	95,5	Auto
K- 07 25 14 84	G 3/8	1800	104,0	243,0 mm	95,5	Auto
K- 07 25 14 85	G 3/8	3500	126,0	274,0 mm	110,0	Auto
K- 07 25 14 86	G 1/2	3500	126,0	274,0 mm	110,0	Auto
K- 07 25 14 87	G 3/4	12000	170,0	343,0 mm	137,0	Auto
K- 07 25 14 88	G 1	12000	170,0	343,0 mm	137,0	Auto

Príslušenstvo

K-STECKSCHLOSS Key lock

Náhradné diely

K-HALTERBAUSATZ HANSA	Holder HANSA
K-ERSATZBEHAELTER HANSA POLY	Spare tank HANSA polycarbonat
K-FILTERELEMENT	Filter element
K-TROPFAUFSATZ HANSA	Drip attachment HANSA

K-WTEH 2-TLG PC SCHU MANO HANSA

Service units, 2-piece with polycarbonate bowl, bowl guard and pressure gauge

HANSA FLEX
