

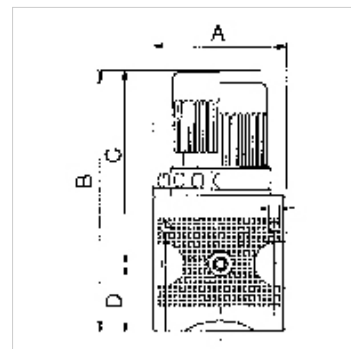
# K-DRG DRVS MULTIFIX

Pressure regulators with pressure supply at both ends

**HANSA FLEX**

## Vlastnosti

Vstupný tlak	Max. 16 bar
Teplota média	max. 60 °C
Teplota okolia	Max. 60 °C
Tesniaci materiál	NBR
kryt pružiny	POM-brass
Kryt	Die-cast zinc
Meranie prietochového množstva	At P1 = 8 bar, P2 = 6 bar and pressure drop $\Delta p = 1$ bar



## Poznámka

Ďalšie údaje na vyžiadanie.

## Popis

Diaphragm pressure regulators with self-relieving design for mounting side by side. The pressure setting can be locked by pushing the knob down. <br>By assembling two or more controllers together, it is possible to supply several working air circuits with different output pressures via a single supply line.

## Pokyny pre objednanie

The port for the output pressure (P2) is on the rear! K-07250031: G 1/4, K-07250034: G 1/2. Lockable pressure regulators K-07250030 available on request.

## Výrobok

Označenie	Závit	Rozsah regulácie	Prietok (L/min)	A: (mm)	B	C (mm)	D: (mm)	DN	Veľkosť
K- 07 25 00 31	G 1/4	0.1 - 3 bar	2000	47,8	94,8 mm	67,0	27,8	6	1
K- 07 25 00 32	G 1/4	0.2 - 6 bar	2000	47,8	94,8 mm	67,0	27,8	6	1
K- 07 25 00 30	G 1/4	0.5 - 10 bar	2000	47,8	94,8 mm	67,0	27,8	6	1
K- 07 25 00 34	G 1/2	0.1 - 3 bar	5500	68,8	134,1 mm	99,0	35,1	15	2
K- 07 25 00 35	G 1/2	0.2 - 6 bar	5500	68,8	134,1 mm	99,0	35,1	15	2
K- 07 25 00 33	G 1/2	0.5 - 10 bar	5500	68,8	134,1 mm	99,0	35,1	15	2

## Náhradné diely

K-HALTERBAUSATZ	Holder
K-SCHALTAFELMÜTTER	Nut
K-HALTERBAUSATZ MULTIFIX	Holder
K-KOPPELPAKET MEHR	Coupling packet
K-KOPPELPAKET SCHMA	Coupling packet
K-VERSCHLEI-SATZ	Set of wearing parts