

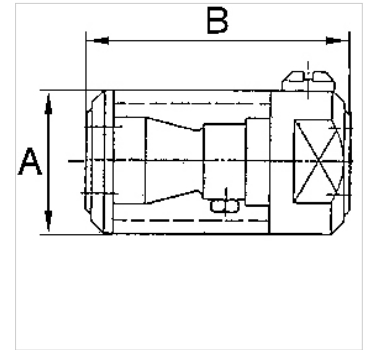
K-NEBELOELER MINI

Mini oil-mist lubricator

HANSA FLEX

Vlastnosti

Prevádzkový tlak	min. 2 bar - max. 6 bar
Teplota média	max. 50 °C
Teplota okolia	Max. 50 °C
Montážna poloha v smere prietoku	Oil intake at the lowest point/any
olejová nádrž	Polycarbonate
Druh oleja	CL 32 acc. to DIN 51517 - ISO VG 32



Poznámka

Ďalšie údaje na vyžiadanie.

Popis

For mounting on pneumatic impact tools (nail drivers, tackers, screwdrivers) which work intermittently. Also suitable for tools with continuous compressed air demand (grinding and polishing machines). Fixed drip rate: Approx. 0.4 cm³ per 100 work cycles, one filling = 3000 work cycles. Oil consumption in continuous operation (at 6 bar): 0.15 cm³ / Nm³ (varies depending on ambient temperature and oil used).

Výrobok

Označenie	Závit	A: (mm)	B	DN
K- 07 25 09 11	G 1/4	33,0	60,0 mm	8
K- 07 25 09 12	G 3/8	33,0	60,0 mm	8