

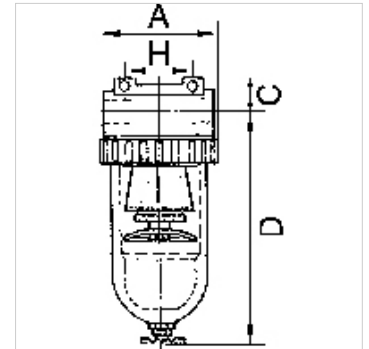
K-FI SPEZI PC-BEHÄLTER H STANDARD

Special filters with polycarbonate bowl, with semi-automatic drain valve to G 1/2 and manual drain valve from G 3/4

HANSA FLEX

Vlastnosti

| | |
|------------------------------------|---|
| Vstupný tlak | Max. 16 bar (polycarbonate bowl / bowl guard), Max. 25 bar (metal bowl) |
| Teplota média | max. 50 °C |
| Teplota okolia | Max. 50 °C |
| účinnosť | 99.999 % |
| Veľkosť pórov vo filtračnej vložke | 0.01 µm |
| Kryt | Die-cast zinc, painted silver |
| Meranie prietoku množstva | At P2 = 6 bar and pressure drop $\Delta p = 1$ bar |



Poznámka

Ďalšie údaje na vyžiadanie.

Popis

For all applications with particularly strict compressed air purity requirements. The separating efficiency of these filters permits very fine oil vapour particles and micro-fine suspended particles to be filtered. A standard filter should always be connected upstream to trap coarse impurities and protect the micro-filter inserts.

Výrobok

| Označenie | Závit | Prietok (L/min) | A: (mm) | C (mm) | D: (mm) | V (mm) | DN |
|----------------|-------|-----------------|---------|--------|---------|--------|----|
| K- 07 25 10 76 | G 3/8 | 380 | 48,0 | 14,0 | 131,6 | 38,0 | 6 |
| K- 07 25 10 83 | G 3/4 | 7000 | 133,0 | 36,0 | 206,0 | 134,0 | 20 |
| K- 07 25 10 86 | G 1 | 7000 | 133,0 | 36,0 | 206,0 | 120,0 | 25 |

Náhradné diely

| | |
|----------------------------|---|
| K-HALTERBAUSATZ STANDARD | Holder |
| K-FILTERELEMENT STANDARD | Filter element |
| K-SCHUTZKORB G | Protective cage |
| K-XV AGM MS NI | Double nipples, parallel male thread, nickel-plated brass |
| K-LOESBARE DOPPELNIPPEL MS | Double nipples |