

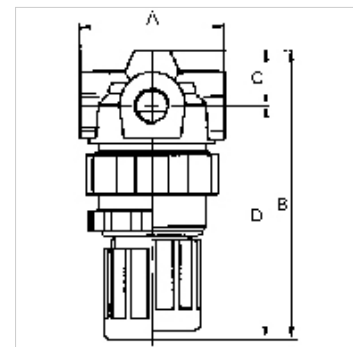
# K-DRG STANDARD-MINI

Pressure regulators

**HANSA FLEX**

## Vlastnosti

Vstupný tlak	Max. 28 bar
Teplota média	max. 60 °C
Teplota okolia	Max. 60 °C
Tesniaci materiál	NBR/TPU
kryt pružiny	POM-brass
Kryt	Die-cast zinc, painted silver
Meranie prietoku množstva	At P1 = 8 bar, P2 = 6 bar and pressure drop $\Delta p = 1$ bar
Ďalšie údaje	User manual on request



## Popis

Reversible diaphragm pressure regulators with self-relieving design in compact design. The pressure setting can be locked by pushing the knob down.

## Výrobok

Označenie	Závit	Rozsah regulácie	Prietok (L/min)	A: (mm)	B	C (mm)	D: (mm)	DN
K- 07 25 03 22	G 1/8	0.15 - 3.5 bar	340	43,0	72,5 mm	9,5	63,0	5
K- 07 25 03 23	G 1/8	0.2 - 7.0 bar	340	43,0	72,5 mm	9,5	63,0	5
K- 07 25 03 24	G 1/8	0.5 - 10.0 bar	340	43,0	72,5 mm	9,5	63,0	5
K- 07 25 03 25	G 1/4	0.15 - 3.5 bar	340	43,0	72,5 mm	9,5	63,0	5
K- 07 25 03 26	G 1/4	0.2 - 7.0 bar	340	43,0	72,5 mm	9,5	63,0	5
K- 07 25 03 27	G 1/4	0.5 - 10.0 bar	340	43,0	72,5 mm	9,5	63,0	5

## Náhradné diely

K-HALTERBAUSATZ	Holder
K-SCHALTTAFELMUTTER	Nut
K-LOESBARE DOPPELNIPPEL MS	Double nipples
K-XV AGM MS NI	Double nipples, parallel male thread, nickel-plated brass
K-VERSCHLEI-SATZ	Set of wearing parts