

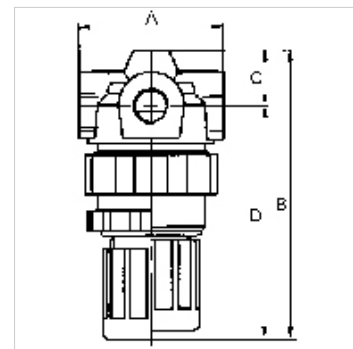
K-DRG VORDRUCK STANDARD-MINI

Pressure regulators

HANSA FLEX

Vlastnosti

Vstupný tlak	Max. 25 bar
Teplota média	max. 60 °C
Teplota okolia	Max. 60 °C
Tesniaci materiál	NBR
kryt pružiny	POM-brass
Kryt	Die-cast zinc, painted silver
Meranie prietoku množstva	At P1 = 8 bar, P2 = 6 bar and pressure drop $\Delta p = 1$ bar
Ďalšie údaje	User manual on request



Popis

Compact, reversible diaphragm pressure regulators, independent of inlet pressure, with self-relieving design. The pressure setting can be locked by pushing the knob down.

Výrobok

Označenie	Závit	Rozsah regulácie	Prietok (L/min)	A: (mm)	B	C (mm)	D: (mm)	DN
K- 07 25 03 28	G 1/8	0.1 - 3 bar	330	40,0	76,3 mm	15,0	61,3	5
K- 07 25 03 29	G 1/8	0.5 - 6 bar	330	40,0	76,3 mm	15,0	61,3	5
K- 07 25 03 30	G 1/8	0.5 - 10 bar	330	40,0	76,3 mm	15,0	61,3	5
K- 07 25 03 31	G 1/8	0.5 - 16 bar	330	40,0	76,3 mm	15,0	61,3	5
K- 07 25 03 32	G 1/4	0.1 - 3 bar	330	40,0	76,3 mm	15,0	61,3	5
K- 07 25 03 33	G 1/4	0.5 - 6 bar	330	40,0	76,3 mm	15,0	61,3	5
K- 07 25 03 34	G 1/4	0.5 - 10 bar	330	40,0	76,3 mm	15,0	61,3	5
K- 07 25 03 35	G 1/4	0.5 - 16 bar	330	40,0	76,3 mm	15,0	61,3	5

Náhradné diely

K-HALTERBAUSATZ	Holder
K-SCHALTTAFELMÜTTER	Nut
K-LOESBARE DOPPELNIPPEL MS	Double nipples
K-XV AGM MS NI	Double nipples, parallel male thread, nickel-plated brass
K-VERSCHLEI-SATZ	Set of wearing parts