

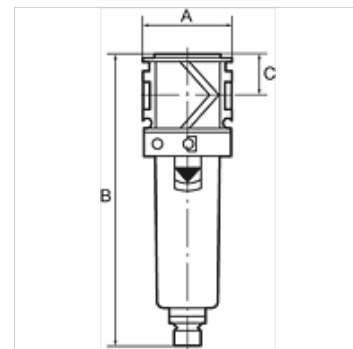
K-FI METALLBEHAELTER SICHT VARIBLOC

Filters with metal bowl incl. sight glass

HANSA FLEX

Vlastnosti

Vstupný tlak	Max. 16 bar (polycarbonate bowl), Max. 20 bar (metal bowl)
Teplota média	max. 50 °C
Teplota okolia	Max. 50 °C (polycarbonate bowl), Max. 80 °C (metal bowl)
Veľkosť pórov vo filtračnej vložke	40 µm
Tesniaci materiál	NBR
Kryt	Die-cast zinc
Drain valve	Manual
Meranie prietoku množstva	At P1 = 6 bar and pressure drop $\Delta p = 1$ bar



Poznámka

Ďalšie údaje na vyžiadanie.

Popis

Centrifugal separators with a sintered filter element. Filtration takes place in a 2-stage process comprising cyclone separation (condensate) and a PE filter element (particles). Approved series in modern industrial design, with the following key benefits: Simple handling, Convenient modular assembly thanks to innovative fasteners, Excellent flow values.

Pokyny pre objednanie

Filters are also available with bowl guard or metal bowl.

Výrobok

Označenie	Závit	Prietok (L/min)	A: (mm)	B	C (mm)
K- 07 25 06 26	G 1/4	1800	48,0	155,0 mm	22,0
K- 07 25 06 28	G 3/8	2000	48,0	155,0 mm	22,0
K- 07 25 06 30	G 1/2	3200	70,0	202,0 mm	26,0
K- 07 25 06 32	G 3/4	3500	70,0	202,0 mm	26,0
K- 07 25 06 34	G 1	3500	124,0	202,0 mm	26,0

Náhradné diely

K-ERSATZBEHAELTER VARIOBLOC POLY	Spare tank Polycarbonat
K-FILTERELEMENT VARIOBLOC	Filter element
K-ABLASSVENTIL AUTO	Fully-automatic drain valve with Adapter G 1/8