

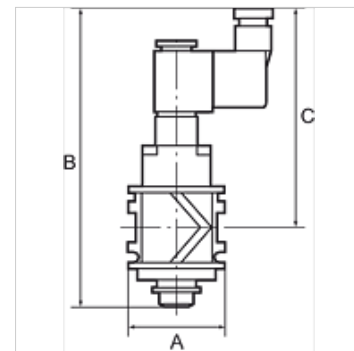
# K-SCHALTVENTILE 3/2 VAROBLOC

On-off valves (3/2-way valves)

**HANSA FLEX**

## Vlastnosti

|                              |  |
|------------------------------|--|
| Krytie                       | IP 65 acc. to DIN 40050                            |
| Pracovný tlak                | 3 to 10 bar  |
| Meranie prietočného množstva | At P1 = 6 bar and pressure drop $\Delta p = 1$ bar |



## Poznámka

Ďalšie údaje na vyžiadanie.

## Popis

For pressurising and relieving pneumatic systems. Ideal as the main "on" valve for service units. The pressure in the line is exhausted when the valve is switched off.

## Výrobok

| Označenie      | Závit | Prietok (L/min) | A: (mm) | Prípojka                                | B        | C (mm) | Napätie |
|----------------|-------|-----------------|---------|---|----------|--------|---------|
| K- 07 25 11 94 | G 1/4 | 2200            | 48,0    | Device plug PG 9, type B, EN 175301-803 | 147,0 mm | 108,0  | 24 V DC |
| K- 07 25 11 95 | G 3/8 | 2600            | 48,0    | Device plug PG 9, type B, EN 175301-803 | 147,0 mm | 108,0  | 24 V DC |
| K- 07 25 11 96 | G 1/2 | 3300            | 70,0    | Device plug PG 9, type B, EN 175301-803 | 157,0 mm | 113,0  | 24 V DC |
| K- 07 25 11 97 | G 3/4 | 3800            | 70,0    | Device plug PG 9, type B, EN 175301-803 | 157,0 mm | 113,0  | 24 V DC |
| K- 07 25 11 98 | G 1   | 3800            | 124,0   | Device plug PG 9, type B, EN 175301-803 | 157,0 mm | 113,0  | 24 V DC |

## Náhradné diely

|                         |                 |
|-------------------------|-----------------|
| K-MAGNETSPULE VARIOBLOC | Solenoid        |
| K-GERAETESTECKER        | Coupling socket |