

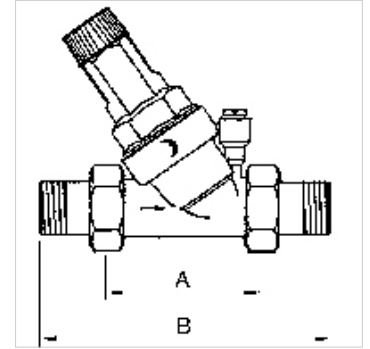
K-DRG SAXONIA M MANO

Pressure regulators

HANSA FLEX

Vlastnosti

Vstupný tlak	Max. 16 bar
Médiá	Drinking water
Prevádzková teplota	Max. 30 °C
Tesniaci materiál	NBR
kryt pružiny	Plastic
Kryt	Brass
miska síta	Plastic, with control dial for back pressure
Ďalšie údaje	DVGW Zertifikat



Poznámka

Ďalšie údaje na vyžiadanie.

Popis

Diaphragm pressure regulators with pressure-reduced single-seated valve and built-in strainer. These pressure regulators, which are independent of inlet pressure, protect domestic water installations against excessive supply pressure. They can also be used for commercial or industrial purposes providing their specification is adequate.

Výrobok

Označenie	Závit	DN	Rozsah regulácie	Prietok kvs hodnota (m ³ /h)	A: (mm)	B
K- 07 25 04 72	R 3/4	20	1.5 - 6 bar	3,4	90,0	158,0 mm
K- 07 25 04 73	R 1	25	1.5 - 6 bar	5,3	100,0	184,0 mm
K- 07 25 04 74	R 1 1/4	32	1.5 - 6 bar	8,6	130,0	228,0 mm

Náhradné diely

K-VENTILAUSTAUSCHSATZ	Valve replacement kit
K-ERSATZSIEBE	Replacement strainer
K-RMM U STAHL	Standard pressure gauges (sheet steel housing / connection radial on bottom)