

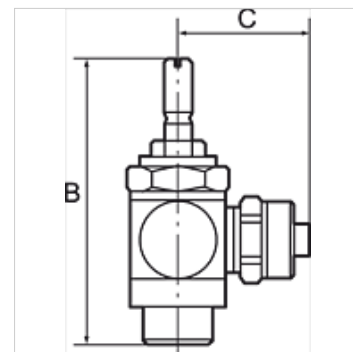
K-DV SCHNVERSCHR B RAENDEL

Bidirectional flow control valves, air restriction at both ends (»B«), quick-lock screw fitting

HANSA FLEX

Vlastnosti

Prevádzkový tlak	max. 10 bar
Rozsah teplôt	0 °C to +70 °C
dutá skrutka, otočné rameno, regulačná skrutka	Nickel-plated brass
vnútorné diely	Brass with a bare metal surface
Tesnenie hubice O-krúžok	NBR
tesnenia (nestratiteľné)	Polyamide (glass fibre-reinforced)



Poznámka

Ďalšie údaje na vyžiadanie.

Popis

For regulation of a cylinder piston speed at both ends and control of flow rates. Designed as a banjo-type valve with a hollow bolt and ring piece for mounting directly.
On the version with a knurled screw, the set volumetric flow rate can be locked with the hexagon nut to obtain a fixed setting.

Výrobok

Označenie	C (mm)	pre hadicu	Závit	SW	B (mm)
K- 07 15 04 90	18,0	4 mm / 2,5 mm	M 5	8 mm	38,9
K- 07 15 04 91	19,0	5 mm / 3 mm	M 5	8 mm	38,9
K- 07 15 04 92	19,0	6 mm / 4 mm	M 5	8 mm	38,9
K- 07 15 04 98	23,0	5 mm / 3 mm	G 1/8	14 mm	42,0
K- 07 15 04 99	25,0	6 mm / 4 mm	G 1/8	14 mm	42,0
K- 07 15 05 00	25,0	8 mm / 6 mm	G 1/8	14 mm	42,0
K- 07 15 04 95	26,5	6 mm / 4 mm	G 1/4	17 mm	51,0
K- 07 15 04 96	27,5	8 mm / 6 mm	G 1/4	17 mm	51,0
K- 07 15 04 94	28,5	10 mm / 8 mm	G 1/4	17 mm	51,0