

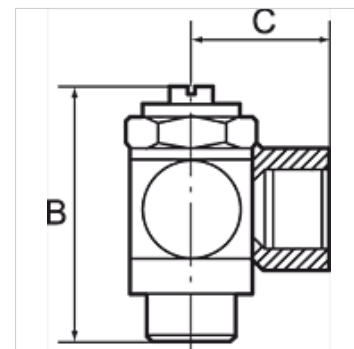
# K-DV SCHNVERSCHR B SCHLITZ

Bidirectional flow control valves, air restriction at both ends (»B«), quick-lock screw fitting

**HANSA FLEX**

## Vlastnosti

Prevádzkový tlak	max. 10 bar
Rozsah teplôt	0 °C to +70 °C
dutá skrutka, otočné rameno, regulačná skrutka	Nickel-plated brass
vnútorné diely	Brass with a bare metal surface
Tesnenie hubice O-krúžok	NBR
tesnenia (nestratiteľné)	Polyamide (glass fibre-reinforced)



## Poznámka

Ďalšie údaje na vyžiadanie.

## Popis

For regulation of a cylinder piston speed at both ends and control of flow rates. Designed as a banjo-type valve with a hollow bolt and ring piece for mounting directly. Compact type of construction, also ideal where space is restricted.

## Výrobok

Označenie	C (mm)	pre hadicu	Závit	SW	B (mm)
K- 07 15 05 50	18,0	4 mm / 2,5 mm	M 5	8 mm	24,5
K- 07 15 05 51	19,0	5 mm / 3 mm	M 5	8 mm	24,5
K- 07 15 05 52	19,0	6 mm / 4 mm	M 5	8 mm	24,5
K- 07 15 05 59	23,0	5 mm / 3 mm	G 1/8	14 mm	32,0
K- 07 15 05 60	25,0	6 mm / 4 mm	G 1/8	14 mm	32,0
K- 07 15 05 61	25,0	8 mm / 6 mm	G 1/8	14 mm	32,0
K- 07 15 05 56	26,5	6 mm / 4 mm	G 1/4	17 mm	40,0
K- 07 15 05 57	27,5	8 mm / 6 mm	G 1/4	17 mm	40,0
K- 07 15 05 55	28,5	10 mm / 8 mm	G 1/4	17 mm	40,0
K- 07 15 05 62	30,5	10 mm / 8 mm	G 3/8	20 mm	50,0