

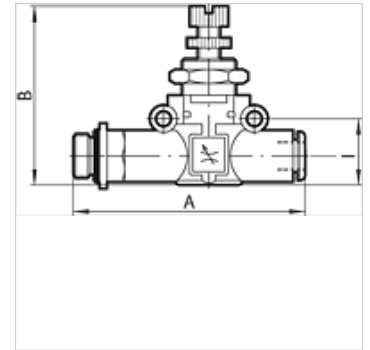
# K-DUFR B GEW SCHL

Flow regulators, flow at both ends, thread - pipe

**HANSA FLEX**

## Vlastnosti

Prevádzkový tlak	max. 10 bar
Prietok 6,3bar	155 l/min (Ø 4), 450 l/min (Ø 6), 850 l/min (Ø 8)
Prietok Odvzdušnenie 6,3bar	160 l/min (Ø 4), 550 l/min (Ø 6), 950 l/min (Ø 8)
Nastavenie	Manual or screwdriver
Rozsah teplôt	-20 °C to +60 °C
teleso	Technopolymer
vnútorné diely	nickel-plated brass, brass, technopolymer, stainless steel
Tesniaci materiál	NBR
Montáž	Wall mounting (housing with drilled holes) Bracket mounting (mounting bracket available) Panel mounting (with bracket or lock nut)
Symbol	on the housing



## Poznámka

Ďalšie údaje na vyžiadanie.

## Popis

A carefully selected assortment of products for installation in pneumatic circuits. These small, highly efficient components allow all pneumatic functions to be implemented anywhere in the circuit. The series has an ultramodular design. All components can be installed in parallel, in series, in a mixed parallel / serial configuration. Available as Pipe / pipe connection with two plug connectors Thread / pipe connection, with one plug connector and one nickel-plated brass thread.

## Výrobok

Označenie	Závit	pre hadicu Ø (mm)	A: (mm)	B (mm)	l (mm)
K- 07 15 06 02	M 5	4	47,7	35,0	12,7
K- 07 15 06 05	G 1/8	4	51,6	35,0	12,7
K- 07 15 06 06	G 1/8	6	58,5	40,0	14,6
K- 07 15 06 07	G 1/8	8	61,5	40,0	14,6
K- 07 15 06 03	G 1/4	6	66,2	49,0	18,7
K- 07 15 06 04	G 1/4	8	70,6	49,0	18,7
K- 07 15 06 08	G 3/8	8	72,2	49,0	18,7