

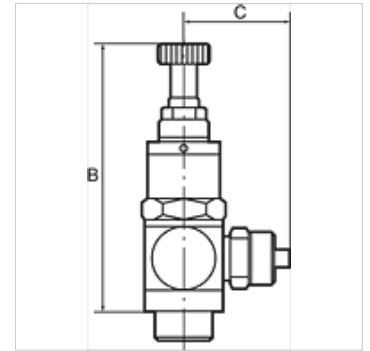
K-KDR SCHNVERSCHR

Mini pressure regulators, discharge port on thread, quick-lock screw fitting

HANSA FLEX

Vlastnosti

Rozsah regulácie	0 - 8 bar
Vstupný tlak	Max. 10 bar
Rozsah teplôt	0 °C to +70 °C
duťá skrutka, otočné rameno, regulačná skrutka	Nickel-plated brass
vnútorné diely	Brass with a bare metal surface
Tesnenie hubice O-kružok	NBR
tesnenia (nestratiteľné)	Polyamide (glass fibre-reinforced)



Poznámka

Ďalšie údaje na vyžiadanie.

Popis

Piston pressure regulator with self-relieving design, hollow bolt and pivoting ring piece. The regulator is screwed directly into the consumer (e.g. cylinder, handling equipment, etc.). The working pressure can thus be adapted to the specific application.

Výrobok

Označenie	C (mm)	pre hadicu	Závit	SW	B (mm)
K- 07 25 08 33	16,0	G 1/8 IG	G 1/8	15 mm	56,0
K- 07 25 08 34	25,0	5 mm / 3 mm	G 1/8	15 mm	56,0
K- 07 25 08 35	25,0	6 mm / 4 mm	G 1/8	15 mm	56,0
K- 07 25 08 36	25,0	8 mm / 6 mm	G 1/8	15 mm	56,0
K- 07 25 08 31	26,5	6 mm / 4 mm	G 1/4	17 mm	63,0
K- 07 25 08 32	27,5	8 mm / 6 mm	G 1/4	17 mm	63,0
K- 07 25 08 30	28,5	10 mm / 8 mm	G 1/4	17 mm	63,0