

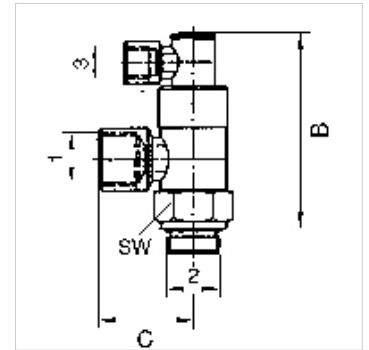
K-STOPPVENTILE STECK

Stop valves, ports 2 and 3 with plug connection

HANSA FLEX

Vlastnosti

Pracovný tlak	Max. 10 bar
Riadiaci tlak	1 - 5 bar, depending on operating pressure
Teplota média	max. 70 °C
Montážna poloha	Any. Ring pieces can still be rotated 360° after the valve has been tightened
Tesniaci materiál	Perbunan



Poznámka

Ďalšie údaje na vyžiadanie.

Popis

For high-speed positioning and stop functions as well as emergency switching (e.g. emergency stop). If a control signal is present at port 3, air can flow to and from the cylinder. If no control signal is present, the air flow to and from the cylinder is shut off, causing the cylinder to stop in the required position. Stop valves are screwed directly onto the cylinder instead of the normal pipe connections.

Výrobok

Označenie	Port 1	Port 2	Prípojka 3	Materiál	B (mm)	C (mm)
K- 07 15 20 50	G 1/8	6 mm	4 mm	Nickel-plated brass	52,0	25,0
K- 07 15 20 49	G 1/4	6 mm	4 mm	Nickel-plated brass	58,0	28,0
K- 07 15 20 51	G 3/8	8 mm	4 mm	Nickel-plated brass	63,0	32,0
K- 07 15 20 48	G 1/2	12 mm	4 mm	Nickel-plated brass	72,0	41,0