

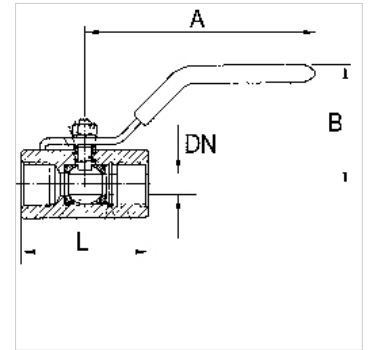
# K-S-BKR M ENTL ABSCHL

Safety ball valves lockable, with relief port

**HANSA FLEX**

## Vlastnosti

Prevádzkový tlak	max. 10 bar
Prevádzková teplota	-20 °C to max. +100 °C
Odvzdušňovací otvor	M 5
Popis závitů	Rp thread acc. to ISO 7-1
ručná páka	Stainless steel - PVC coated
Tesnenie gule	PTFE / NBR
Tesnenie vretena	PTFE
Materiál	Ušľachtilá oceľ



## Poznámka

G thread acc. to DIN EN ISO 228-1, with ISO flange plate (acc. to ISO 5211)

Ďalšie údaje na vyžiadanie.

## Popis

2/2-way stainless steel safety ball valves. Specially designed for pneumatic applications. The ball valve can be locked manually and has a relief port.

## Dodatočné informácie

The price does not include a padlock. Please order separately.

## Výrobok

Označenie	DN	Závit	A: (mm)	B (mm)	D (mm)
K- 07 30 15 16	8	Rp 1/4	100,0	50,0	55,0
K- 07 30 15 17	10	Rp 3/8	100,0	50,0	55,0
K- 07 30 15 18	15	Rp 1/2	130,0	60,0	65,0
K- 07 30 15 19	20	Rp 3/4	130,0	64,0	74,6
K- 07 30 15 20	25	Rp 1	165,0	71,0	88,0
K- 07 30 15 21	32	Rp 1 1/4	165,0	78,0	102,0
K- 07 30 15 22	40	Rp 1 1/2	190,0	86,0	110,0
K- 07 30 15 23	50	Rp 2	190,0	95,0	125,0

## Príslušenstvo

K-VORHAENGESCHLOSS Padlock