

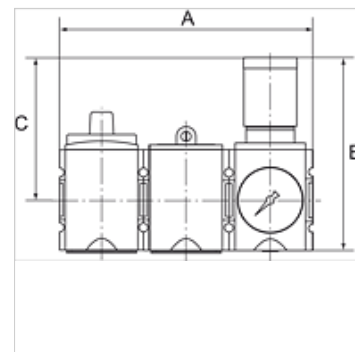
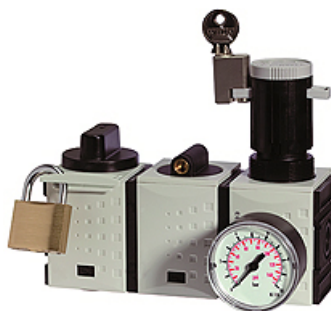
K-WTST SAFETY BK SCHA AN DR HANSA

SAFETY service unit sets, comprising a ball valve with silencer, start-up valve and pressure regulator

HANSA FLEX

Vlastnosti

| | |
|-------------------------------|---|
| Vstupný tlak | 2.5 - 16 bar |
| Výstupný tlak | 0.5 - 8 bar |
| Rozsah teplôt | -10 °C to +50 °C |
| Médiá | Tlakový vzduch |
| Tesniaci materiál | NBR |
| Pripojovací závit | Material: Die-cast zinc |
| Zásobník | Polycarbonate (with bayonet lock) and bowl guard |
| filtračná vložka | Cellpor (PE) 5 µm |
| Kryt | Material: Grivory® (PA 66) |
| Membrána | NBR |
| Spotreba vlastného vzduchu | Max. 1.5 l/min (depending on secondary pressure) |
| Meranie prietoku množstva | At P1 = 10 bar, P2 = 6.3 bar and pressure drop $\Delta p = 1$ bar |
| Prípoj. odvzduš. Guľový kohút | Silencer |



Poznámka

Ďalšie údaje na vyžiadanie.

Popis

These compressed air service unit sets, comprising a ball valve with silencer, a start-up valve and one out of a pressure regulator, filter regulator or service unit, meet even the strictest requirements for operating reliability and accident prevention!

Pokyny pre objednanie

The price does not include a key lock and padlock. Please order separately. For accessories and spare parts, refer to individual components: ball valve, start-up valve, pressure regulator, filter regulator, 2-piece service unit

Výrobok

| Označenie | Závit | Rozsah regulácie | Prietok (L/min) | A: (mm) | B | C (mm) |
|----------------|-------|------------------|-----------------|---------|----------|--------|
| K- 07 25 15 20 | G 1/4 | 2.5 - 8 bar | 2000 | 156,0 | 128,5 mm | 95,5 |
| K- 07 25 15 21 | G 3/8 | 2.5 - 8 bar | 2000 | 156,0 | 128,5 mm | 95,5 |
| K- 07 25 15 22 | G 3/8 | 2.5 - 8 bar | 4300 | 189,0 | 149,5 mm | 110,0 |
| K- 07 25 15 23 | G 1/2 | 2.5 - 8 bar | 4300 | 189,0 | 149,5 mm | 110,0 |
| K- 07 25 15 24 | G 3/4 | 2.5 - 8 bar | 10000 | 255,0 | 191,0 mm | 137,0 |
| K- 07 25 15 25 | G 1 | 2.5 - 8 bar | 10000 | 255,0 | 191,0 mm | 137,0 |

Príslušenstvo

| | |
|--------------------|----------|
| K-STECKSCHLOSS | Key lock |
| K-VORHAENGESCHLOSS | Padlock |