

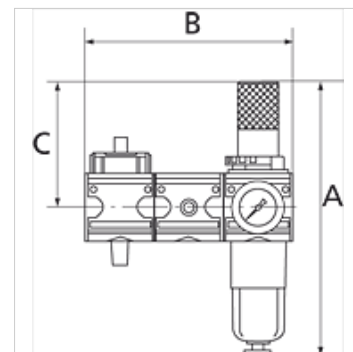
K-WTST SAFETY BKR SCHA AN FILR MULT

SAFETY service unit sets, comprising a ball valve with silencer, start-up valve and filter regulator with lock cylinder

HANSA FLEX

Vlastnosti

Vstupný tlak	2 - 16 bar
Výstupný tlak	0.5 - 10 bar
Rozsah teplôt	Max. 60 °C
Médiá	Tlakový vzduch
Tesniaci materiál	NBR
Zásobník	Polycarbonate (with bayonet lock) and bowl guard
kryt pružiny	POM
filtračná vložka	Cellpor (PE) 5 µm
Kryt	Die-cast zinc
Membrána	NBR
Drain valve	Semi-automatic
Meranie prietochového množstva	At P1 = 8 bar, P2 = 6 bar and pressure drop $\Delta p = 1$ bar
Ďalšie údaje	see data sheets of the individual components (on request)
Prípoj. odvoduš. Guľový kohút	Silencer



Popis

These compressed air service unit sets, comprising a ball valve with silencer, a start-up valve and one out of a pressure regulator, filter regulator or service unit, meet even the strictest requirements for operating reliability and accident prevention!

Pokyny pre objednanie

The price does not include a padlock. Please order separately. For accessories and spare parts, refer to individual components: ball valve, start-up valve, pressure regulator, filter regulator, 2-piece service unit.

Výrobok

Označenie	Závit	Prietok (L/min)	A: (mm)	B	C (mm)	Vypúšťanie kondenzátu
K- 07 25 15 14	G 1/4	1000	219,1	137,8 mm	94,0	Semi-automatic
K- 07 25 15 15	G 1/2	4000	269,3	200,8 mm	122,0	Semi-automatic
K- 07 25 15 16	G 1	12000	410,8	282,8 mm	157,0	Semi-automatic