

K-SCHALLDAE SINTERBR GE MS1

Silencers, sintered bronze, with brass hexagon nut and brass thread

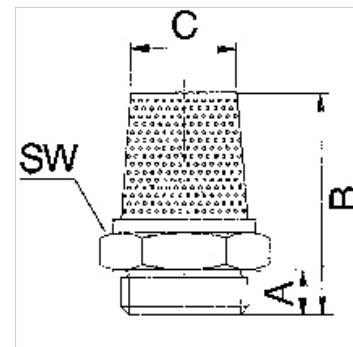
HANSA FLEX

Vlastnosti

Prevádzkový tlak 0 - 8 bar

Prevádzková teplota -10 °C to +250 °C

Hladina hluku 6bar 71 ~ 108 dB(A)



Poznámka

Ďalšie údaje na vyžiadanie.

Popis

For reducing the exhaust noise generated by pneumatic equipment.

Výrobok

Označenie	Závit	A: (mm)	B (mm)	C (mm)	SW
K- 07 40 34 70	M 5	5,0	18,5	4,0	9 mm
K- 07 40 34 71	G 1/8	4,5	21,0	8,5	12 mm
K- 07 40 34 72	G 1/4	6,0	28,0	11,0	15 mm
K- 07 40 34 73	G 3/8	7,0	35,5	14,0	19 mm
K- 07 40 34 74	G 1/2	8,0	41,5	16,0	23 mm
K- 07 40 34 75	G 3/4	9,0	53,0	21,0	30 mm
K- 07 40 34 76	G 1	12,0	67,0	27,0	36 mm