

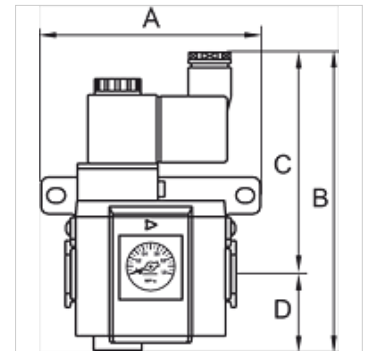
K-3/2 ANFAV 24 V DC HW G

Start-up valves, power supply 24 V DC, with »HW« mounting bracket and silencer

HANSA FLEX

Vlastnosti

| | |
|---------------------------|--|
| Vstupný tlak | 2.5 - 9 bar |
| Teplota média | max. 70 °C |
| Teplota okolia | Max. 70 °C |
| Elektrické pripojenie | Coupler plug PG 9 - form B |
| Tesniaci materiál | NBR |
| Kryt | Die-cast aluminium |
| Meranie prietoku množstva | At P1 = 8 bar, P2 = 6 bar and pressure drop $\Delta p = 1$ bar |
| Ďalšie údaje | User manual on request |



Výrobok

| Označenie | Závit | Prietok (L/min) | A: (mm) | B | C (mm) | D: (mm) | Veľkosť |
|----------------|-------|-----------------|---------|----------|--------|---------|---------|
| K- 07 25 12 05 | G 1/4 | 1600 | 65,0 | 131,0 mm | 97,0 | 34,0 | 300 |
| K- 07 25 12 07 | G 3/8 | 2500 | 65,0 | 131,0 mm | 97,0 | 34,0 | 300 |
| K- 07 25 12 09 | G 1/2 | 2500 | 65,0 | 131,0 mm | 97,0 | 34,0 | 300 |
| K- 07 25 12 11 | G 3/8 | 4500 | 78,0 | 142,5 mm | 102,0 | 40,5 | 400 |
| K- 07 25 12 13 | G 1/2 | 4500 | 78,0 | 142,5 mm | 102,0 | 40,5 | 400 |

Príslušenstvo

| | |
|-----------------------|-----------------|
| K-VERBINDUNGSELEMENTE | Connecting sets |
| K-WANDHALTER | Wall bracket |
| K-HALTERBAUSATZ | Holder |