

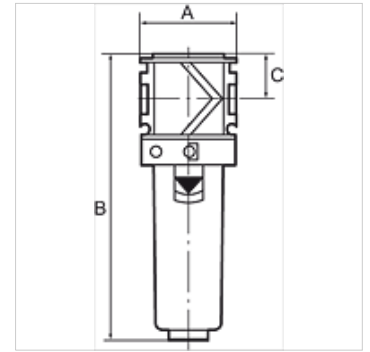
K-FI AK KOH METALLBEHAEL SI VARIOBL

Activated carbon filters with metal bowl incl. sight glass

HANSA FLEX

Vlastnosti

Vstupný tlak	Max. 16 bar (polycarbonate bowl), Max. 20 bar (metal bowl)
Teplota média	max. 50 °C
Teplota okolia	Max. 50 °C (polycarbonate bowl), Max. 80 °C (metal bowl)
Kvalita vzduchu ISO 85731	Class 1 dirt, class 1 oil
Obsah zvyškov oleja	0,003 mg/m ³
Meranie prietoku množstva	At P1 = 7 bar and pressure drop $\Delta p = 0,1$ bar



Poznámka

Activated carbon filters are also supplied with protective cage or metal container.

Ďalšie údaje na vyžiadanie.

Popis

The activated carbon filter absorbs oil vapour from the compressed air. The entering compressed air needs to be dry and free of contaminants (an upstream microfilter is strongly recommended).

Výrobok

Označenie	Závit	Prietok (L/min)	A: (mm)	B	C (mm)
K- 07 25 23 07	G 1/4	800	48,0	142,0 mm	22,0
K- 07 25 23 08	G 3/8	1000	48,0	142,0 mm	22,0
K- 07 25 23 09	G 1/2	1200	70,0	193,0 mm	26,0
K- 07 25 23 10	G 3/4	1300	70,0	193,0 mm	26,0
K- 07 25 23 11	G 1	1300	124,0	193,0 mm	26,0