

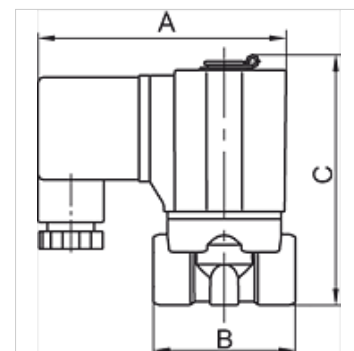
K-MV G (NC) V 24 V DC 1 VA

Normally closed, (NC), pilot-operated, 24 V DC VA stainless steel

HANSA FLEX

Vlastnosti

| | |
|------------------------------|---|
| Elektrické pripojenie | device socket type A in acc. with ISO 4400 for all valves with threads G 3/8 & G 1/2, except valves type 3 & 4. Device socket |
| Popis závit | G thread acc. DIN EN ISO 228-1 |
| Teplota média | max. 80 °C when using water or oils; max. 90 °C when using with air |
| Krytie | IP 65 |
| max. prevádzkový tlak | 10 bar |
| Tesniaci materiál | FPM |
| kryt, sedlo ventila | Stainless steel 1.4301 |
| vnútorné diely | Stainless steel |



Poznámka

Ďalšie údaje na vyžiadanie.

Popis

Standard series in two different versions: Directly operated, Pilot-operated

Výrobok

| Označenie | min. prevádzkový tlak (bar) | Závit | MS | A: (mm) | B (mm) | C (mm) | vyhotovenie |
|----------------|-----------------------------|-------|------|---------|--------|--------|-------------|
| K- 07 30 01 28 | 0,50 | G 1/2 | 15,0 | 70,0 | 70,0 | 107,0 | 3 |
| K- 07 30 01 29 | 0,50 | G 3/4 | 20,0 | 70,0 | 82,0 | 115,4 | 3 |
| K- 07 30 01 30 | 0,50 | G 1 | 25,0 | 70,0 | 92,0 | 124,0 | 3 |