

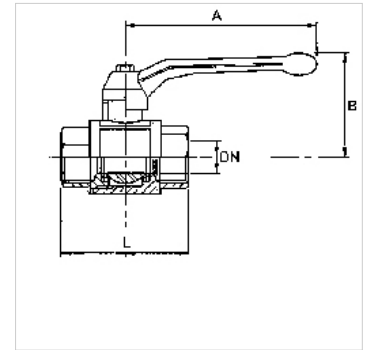
# K-BKR LANG IG IG

Ball valves, long-threaded type, female/female thread

**HANSA FLEX**

## Vlastnosti

<b>Oblasť použitia</b>	Compressed air, water, non-toxic and non-corrosive gases, heating systems, agriculture
<b>Prevádzkový tlak</b>	Max. 40 bar
<b>Prevádzková teplota</b>	-15 °C to +90 °C
<b>Popis závit</b>	Thread acc. to ISO 7-1
<b>Kryt</b>	Nickel-plated brass
<b>páka</b>	Aluminium, painted black
<b>guľa</b>	Chrome-plated brass
<b>Tesnenie gule</b>	PTFE
<b>Tesnenie vretena</b>	NBR / EPDM



## Poznámka

G thread acc. to DIN EN ISO 228-1, with ISO flange plate (acc. to ISO 5211)

Ďalšie údaje na vyžiadanie.

## Pokyny pre objednanie

For use on devices that have to be vented whenever they are turned off, either because of safety regulations or for technical reasons. The pneumatic devices are disconnected from the system and simultaneously vented each time they are shut off.

## Dodatočné informácie

The pressure values refer to a maximum operating temperature of 40 °C. Lower maximum pressure apply at higher temperatures. See data sheet.

## Výrobok

Označenie	DN	Závit	A: (mm)	B (mm)	D (mm)
K- 07 30 21 45	8	Rp/Rp 1/4	85,0	42,0	49,0
K- 07 30 21 46	10	Rp/Rp 3/8	85,0	42,0	50,0
K- 07 30 21 47	15	Rp/Rp 1/2	85,0	46,0	61,0
K- 07 30 21 48	20	Rp/Rp 3/4	105,0	53,0	70,0
K- 07 30 21 49	25	Rp/Rp 1	105,0	57,0	84,0
K- 07 30 21 50	32	Rp/Rp 1 1/4	130,0	70,0	97,0
K- 07 30 21 51	40	Rp/Rp 1 1/2	130,0	76,0	108,0
K- 07 30 21 52	50	Rp/Rp 2	165,0	92,0	130,0