

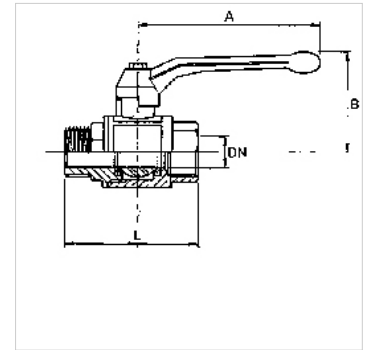
K-BKR LANG IG AG

Ball valves, long-threaded type, female/male thread

HANSA FLEX

Vlastnosti

Oblasť použitia	Compressed air, water, non-toxic and non-corrosive gases, heating systems, agriculture
Prevádzkový tlak	Max. 40 bar
Prevádzková teplota	-15 °C to +90 °C
Popis závit	Thread acc. to ISO 7-1
Kryt	Nickel-plated brass
páka	Aluminium, painted black
guľa	Chrome-plated brass
Tesnenie gule	PTFE
Tesnenie vretena	NBR / EPDM



Poznámka

G thread acc. to DIN EN ISO 228-1, with ISO flange plate (acc. to ISO 5211)

Ďalšie údaje na vyžiadanie.

Pokyny pre objednanie

For use on devices that have to be vented whenever they are turned off, either because of safety regulations or for technical reasons. The pneumatic devices are disconnected from the system and simultaneously vented each time they are shut off.

Dodatočné informácie

The pressure values refer to a maximum operating temperature of 40 °C. Lower maximum pressure apply at higher temperatures. See data sheet.

Výrobok

Označenie	DN	Závit	A: (mm)	B (mm)	D (mm)
K- 07 30 21 37	8	Rp/R 1/4	85,0	42,0	52,0
K- 07 30 21 38	10	Rp/R 3/8	85,0	42,0	54,0
K- 07 30 21 39	15	Rp/R 1/2	85,0	46,0	67,0
K- 07 30 21 40	20	Rp/R 3/4	105,0	53,0	78,0
K- 07 30 21 41	25	Rp/R 1	105,0	57,0	89,0
K- 07 30 21 42	32	Rp/R 1 1/4	130,0	70,0	103,0
K- 07 30 21 43	40	Rp/R 1 1/2	130,0	76,0	113,0
K- 07 30 21 44	50	Rp/R 2	165,0	92,0	136,0