

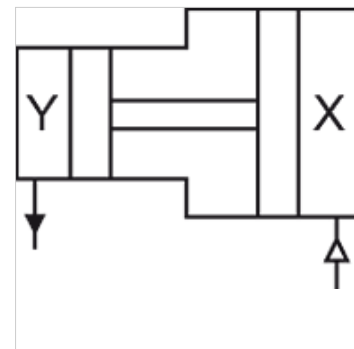
K-DVST OHNE REGLER

Pressure booster without regulator

HANSA FLEX

Vlastnosti

Vstupný tlak	2 - 10 bar
Výstupný tlak	Max. 20 bar (regulated: max. 16 bar)
Rozsah teplôt	-10 °C to +50 °C (40 mm bore), -10 °C to +60 °C (63 mm bore)
Médiá	Filtered, unlubricated or lubricated compressed air (if lubrication is used, it must be continuous)
Tesniaci materiál	NBR
Regulátor tlaku	With plastic body
Kryt	Aluminium, anodised
rúrka	Anodised aluminium jacket
Montáž	Any position, with 4 mounting holes
P2:P1	2:1



Poznámka

For information about calculating the filling times for different tank sizes, refer to the above-mentioned data sheet available on our website
Ďalšie údaje na vyžiadanie.

Popis

Pressure multipliers (boosters) allow a separate compressed air store with up to double pressure to be installed for selected devices in a compressed air system without an external energy source, i.e. it is possible to work with a maximum pressure of 20 bar in a standard 10 bar system (maximum ratio 2:1). This is achieved using a double piston, which is operated by a combination of integrated check valves in such a way that the booster works automatically until the target pressure is reached in a compressed air tank and is then automatically switched off. A tank is always required to build up the pressure and store the compressed air!

Dodatočné informácie

Fixing bracket with nut

Výrobok

Označenie	Prípojka	Ø piest (mm)	V (mm)	D (mm)
K- 07 25 08 64	G 1/8	40,0	64,0	194,0
K- 07 25 08 66	G 3/8	63,0	98,0	290,0

Príslušenstvo

K-ZUBEH ERSATZ LUFT BOOSTER Accessories / spare parts for Air-air-multiplier (booster)