

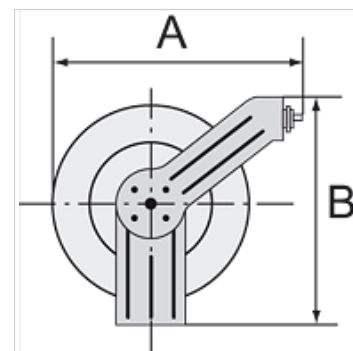
K-SCHL-AUFROLLER SCHWEISS

Hose reel, welding type

HANSA FLEX

Vlastnosti

Hadice	Welding hose for oxygen and acetylene, red and blue, made from synthetic rubber.
Prevádzkový tlak	max. 10 bar
Upevnenie	Wall, floor or ceiling
Vstup	Oxygen G 1/4 male, right-hand thread with 60° inside cone, Acetylene G 3/8 male, left-hand thread with 60° inside cone



Poznámka

Ďalšie údaje na vyžiadanie.

Popis

Heavy-duty steel design for industrial applications. Blue, powder-coated housing. Special reel guide prevents excessive wear on the hose. An automatic latching mechanism allows the hose to be engaged at any length. Enclosed spring. Precise locking device for continuous feeding or latching mechanism.

Výrobok

Označenie	Rozmer hadice	Výška (mm)	Priemer (mm)	Dĺžka hadice (m)
K- 07 10 06 28	Oxygen: 16.5 mm x 6 mm, Acetylene: 17 mm x 10 mm	360	320	15