

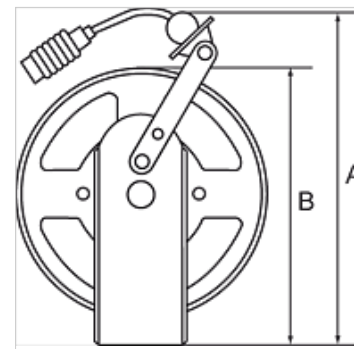
# K-SCHL-AUFROLLER LU WA S

Hose reels for compressed air and water, heavy-duty type

**HANSA FLEX**

## Vlastnosti

|                     |                        |
|---------------------|------------------------|
| Materiál hadice     | Polyurethane           |
| Prevádzkový tlak    | max. 10 bar            |
| Prevádzková teplota | -10 °C to +40 °C       |
| Upevnenie           | Wall, floor or ceiling |
| Vstup               | Hose stem 8 mm         |



## Poznámka

Ďalšie údaje na vyžiadanie.

## Popis

Heavy-duty steel design for industrial applications. Blue, powder-coated housing. An automatic latching mechanism allows the hose to be engaged at any length. Enclosed spring. Precise locking device for continuous feeding or latching mechanism. Reel guide prevents excessive wear on the hose.

## Výrobok

| Označenie      | Rozmer hadice  | A:<br>(mm) | B<br>(mm) | Dĺžka hadice<br>(m) |
|----------------|----------------|------------|-----------|---------------------|
| K- 07 10 06 24 | 10 mm x 6,5 mm | 420,0      | 353,0     | 10                  |
| K- 07 10 06 25 | 10 mm x 6,5 mm | 420,0      | 353,0     | 20                  |
| K- 07 10 06 26 | 12 mm x 8 mm   | 420,0      | 353,0     | 15                  |
| K- 07 10 06 27 | 16 mm x 11 mm  | 420,0      | 353,0     | 15                  |