

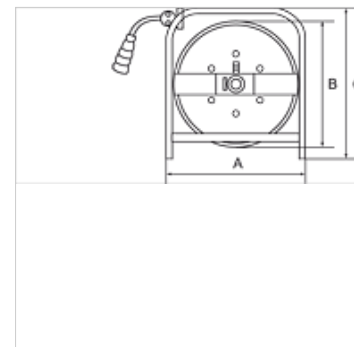
K-SCHL-AUFROLLER MOBIL

Hose reels for mobile applications

HANSA FLEX

Vlastnosti

Materiál hadice	Polyurethane
Prevádzkový tlak	max. 10 bar
Prevádzková teplota	-10 °C to +40 °C
Vstup	Hose stem 8 mm
pripojovací závit	Coupling G 3/8



Poznámka

Ďalšie údaje na vyžiadanie.

Popis

Specially designed for mobile applications. This 50 m long polyurethane hose is mounted in a portable four-wheel cart made from blue anodised steel. An automatic latching mechanism allows the hose to be engaged at any length. Enclosed spring. Precise locking device for continuous feeding or latching mechanism. Reel guide prevents excessive wear on the hose.

Výrobok

Označenie	Rozmer hadice	A: (mm)	B (mm)	C (mm)	Dĺžka hadice (m)
K- 07 10 06 16	12 mm x 8 mm	452,0	400,0	460,0	50