

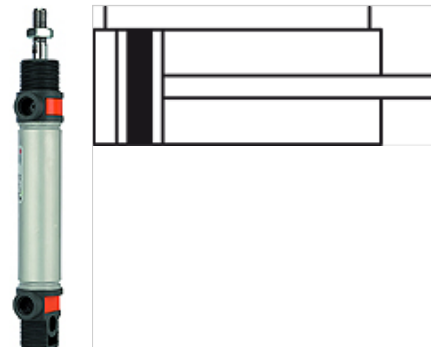
K-RUNDZYLINDER DOPP O E D

Round cylinders, double acting, magnetic, non-cushioned

HANSA FLEX

Vlastnosti

Médiá	Filtered (50 µm), unlubricated or lubricated compressed air. If lubrication is used, it must be continuous.
Pracovný tlak	Max. 10 bar
Reakčný tlak	0,6 bar
Rozsah teplôt	-10 °C to +60 °C
Montáž	Connection: Aluminium pipe / end caps flanged
Piestová tyč	Stainless steel 1.4301 (Ø 16), C45 steel, hard chrome-plated (Ø 20 and Ø 25)
rúrka	Aluminium alloy, anodised
veko, dno, vodiaca objímka	Technopolymer
tesnenie piestovej tyče	PU
piestové tesnenie	PU



Poznámka

Maximum recommended stroke: Ø 16 = stroke 200, Ø 20 and Ø 25 = stroke 500. Longer strokes can result in malfunctions.
Ďalšie údaje na vyžiadanie.

Popis

Economy standard version with aluminum pipe and magnet piston.

Dodatočné informácie

Important: The scope of supply does not include a connector. Please order separately.

Výrobok

Označenie	Ø piest	Zdvih (mm)	Pripojka	Vonkajší závit piestovej tyče
K- 07 15 17 62	16 mm	10	M 5	M 6
K- 07 15 17 63	16 mm	25	M 5	M 6
K- 07 15 17 64	16 mm	50	M 5	M 6
K- 07 15 17 65	16 mm	80	M 5	M 6
K- 07 15 17 66	16 mm	100	M 5	M 6
K- 07 15 17 67	16 mm	125	M 5	M 6
K- 07 15 17 68	16 mm	160	M 5	M 6
K- 07 15 17 69	16 mm	200	M 5	M 6
K- 07 15 17 70	20 mm	10	G 1/8	M 8
K- 07 15 17 71	20 mm	25	G 1/8	M 8
K- 07 15 17 72	20 mm	50	G 1/8	M 8
K- 07 15 17 73	20 mm	80	G 1/8	M 8
K- 07 15 17 74	20 mm	100	G 1/8	M 8
K- 07 15 17 75	20 mm	125	G 1/8	M 8
K- 07 15 17 76	20 mm	160	G 1/8	M 8
K- 07 15 17 77	20 mm	200	G 1/8	M 8
K- 07 15 17 78	20 mm	250	G 1/8	M 8
K- 07 15 17 79	20 mm	500	G 1/8	M 8
K- 07 15 17 80	25 mm	10	G 1/8	M 10 x 1.25
K- 07 15 17 81	25 mm	25	G 1/8	M 10 x 1.25
K- 07 15 17 82	25 mm	50	G 1/8	M 10 x 1.25
K- 07 15 17 83	25 mm	80	G 1/8	M 10 x 1.25
K- 07 15 17 84	25 mm	100	G 1/8	M 10 x 1.25
K- 07 15 17 85	25 mm	125	G 1/8	M 10 x 1.25
K- 07 15 17 86	25 mm	160	G 1/8	M 10 x 1.25
K- 07 15 17 87	25 mm	200	G 1/8	M 10 x 1.25
K- 07 15 17 88	25 mm	250	G 1/8	M 10 x 1.25
K- 07 15 17 89	25 mm	500	G 1/8	M 10 x 1.25

Príslušenstvo

K-FUSSBEFESTIGUNG 5	Foot model
K-FLANSCHBEFESTIGUNGEN1	Flange model



K-RUNDZYLINDER DOPP O E D

Round cylinders, double acting, magnetic, non-cushioned

HANSA FLEX
