

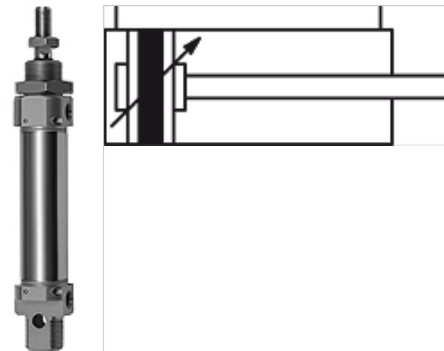
K-RUNDZYLINDER DOPP M D

Rundzylinder, doppeltwirkend (mit Magnet, mit einstellbarer Dämpfung)

HANSA FLEX

Vlastnosti

Médiá	Filtered, unlubricated or lubricated compressed air. If lubrication is used, it must be continuous.
Pracovný tlak	Max. 10 bar
Reakčný tlak	0,8 bar (Ø 8 bis Ø 12), 0,6 bar (Ø 16 bis Ø 25)
Rozsah teplôt	-10 °C to +80 °C
Montáž	Flanged joint between stainless steel barrel and heads
Piestová tyč	C45 steel, hard chrome-plated
rúrka	Stainless steel 1.4301
Piest	Synthetic (acetal) resin
Tesniaci materiál	NBR



Poznámka

Maximum recommended stroke: Double-acting: Ø 8 - Ø 10 = 100 stroke, Ø 12 - Ø 16 = 200 stroke, Ø 20 - Ø 25 = 250 stroke

Single-acting: Ø 8 - Ø 25 = 50 stroke. Longer stroke lengths can cause operational malfunctions.

Ďalšie údaje na vyžiadanie.

Popis

Single and double-acting cylinders, with magnetic piston.

Dodatočné informácie

Important: The scope of supply does not include a connector. Please order separately.

Výrobok

Označenie	Ø piest	Zdvih (mm)	Prípojka	Závit piestovej tyče
K- 07 15 24 89	16 mm	10	M 5	M 6
K- 07 15 24 90	16 mm	25	M 5	M 6
K- 07 15 24 91	16 mm	50	M 5	M 6
K- 07 15 24 92	16 mm	80	M 5	M 6
K- 07 15 24 93	16 mm	100	M 5	M 6
K- 07 15 24 94	16 mm	125	M 5	M 6
k- 07 15 24 95	16 mm	160	M 5	M 6
K- 07 15 24 96	16 mm	200	M 5	M 6
K- 07 15 24 97	20 mm	10	G 1/8	M 8
K- 07 15 24 98	20 mm	25	G 1/8	M 8
K- 07 15 24 99	20 mm	50	G 1/8	M 8
K- 07 15 25 00	20 mm	80	G 1/8	M 8
K- 07 15 25 01	20 mm	100	G 1/8	M 8
K- 07 15 25 02	20 mm	125	G 1/8	M 8
K- 07 15 25 03	20 mm	160	G 1/8	M 8
K- 07 15 25 04	20 mm	200	G 1/8	M 8
K- 07 15 25 05	20 mm	250	G 1/8	M 8
K- 07 15 25 06	25 mm	10	G 1/8	M 10 x 1.25
K- 07 15 25 07	25 mm	25	G 1/8	M 10 x 1.25
K- 07 15 24 88	25 mm	50	G 1/8	M 10 x 1.25
K- 07 15 25 08	25 mm	80	G 1/8	M 10 x 1.25
K- 07 15 25 09	25 mm	100	G 1/8	M 10 x 1.25
K- 07 15 25 10	25 mm	125	G 1/8	M 10 x 1.25
K- 07 15 25 11	25 mm	160	G 1/8	M 10 x 1.25
K- 07 15 25 12	25 mm	200	G 1/8	M 10 x 1.25
K- 07 15 25 13	25 mm	250	G 1/8	M 10 x 1.25