

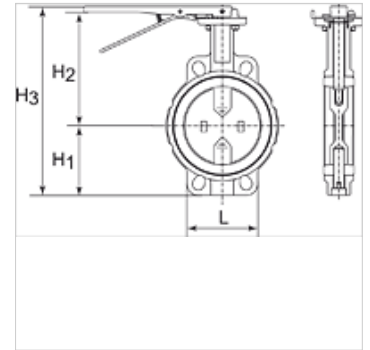
K-ZFL ABSP-KLAPPEN

Butterfly valves

HANSA FLEX

Vlastnosti

Prevádzkový tlak	Max. 16 bar
Prevádzková teplota	-15 °C to +120 °C
Médiá	Water / steam, salt water, salt water, ester, ketone, alkali, caustic soda, sodium hydroxide. Not recommended for hydrocarbons
Rozsah teplôt	-20 °C to +120 °C
Kryt	Grey cast iron GG25 epoxy resin coated, RAL 5015
tesnenie	EPDM
hriadeľ	SS416
Tesnenie hriadeľa	EPDM
ručná páka	GG25 epoxy resin coated



Poznámka

Ďalšie údaje na vyžiadanie.

Výrobok

Označenie	Podložka	DN	B (mm)	H1 (mm)	H2 (mm)	H3 (mm)	D (mm)
K- 07 30 03 45	Stainless Steel CF8M/1.4404	40	38,0	68,0	94,0	198,0	94,0
K- 07 30 03 46	Stainless Steel CF8M/1.4404	50	47,0	71,0	143,0	236,0	100,0
K- 07 30 03 47	Stainless Steel CF8M/1.4404	65	49,0	78,0	155,0	255,0	115,0
K- 07 30 03 48	Stainless Steel CF8M/1.4404	80	47,0	89,0	162,0	273,0	127,0
K- 07 30 03 49	Stainless Steel CF8M/1.4404	100	56,0	102,0	178,0	302,0	163,0
K- 07 30 03 50	Stainless Steel CF8M/1.4404	125	59,0	123,0	191,0	336,0	190,0
K- 07 30 03 51	Stainless Steel CF8M/1.4404	150	59,0	138,0	205,0	365,0	216,0