

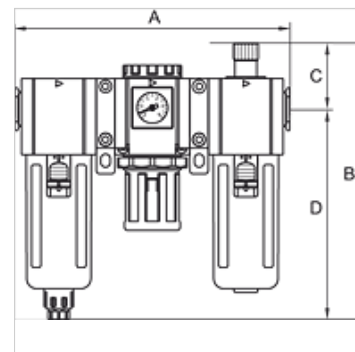
K-WTEH 3-TLG MET SICH WAND H G

Service units, 3-piece with metal bowl, sight glass and joiner for wall mounting, semi-automatic drain valve

HANSA FLEX

Vlastnosti

| | |
|------------------------------------|--|
| Vstupný tlak | Max. 10 bar |
| Teplota média | max. 70 °C |
| Teplota okolia | Max. 70 °C |
| Veľkosť pórov vo filtračnej vložke | 5 µm |
| Tesniaci materiál | NBR |
| kryt pružiny | POM |
| Kryt | Die-cast aluminium |
| Vložka kvapkadla | Brass/POM |
| Drain valve | Semi- or fully-automatic |
| Meranie prietoku množstva | At P1 = 8 bar, P2 = 6 bar and pressure drop $\Delta p = 1$ bar |
| Ďalšie údaje | User manual on request |



Výrobok

| Označenie | Závit | Rozsah regulácie | Prietok (L/min) | A: (mm) | B | C (mm) | D: (mm) | Veľkosť |
|----------------|-------|------------------|-----------------|---------|----------|--------|---------|---------|
| K- 07 25 14 31 | G 3/4 | 1.5 - 9 bar | 3750 | 295,0 | 280,5 mm | 61,5 | 219,0 | 600 |
| K- 07 25 14 33 | G 1 | 1.5 - 9 bar | 3750 | 295,0 | 280,5 mm | 61,5 | 219,0 | 600 |

Príslušenstvo

| | |
|-------------------------------------|--|
| K-VERSCHLEI-SATZ | Set of wearing parts |
| K-ERSATZMEMBRANE | Replacement diaphragm |
| K-ADAPTERPLATTEN HANSA | Adapter plate HANSA |
| K-FILTERELEMENT | Filter element |
| K-ERSATZBEHAELTER G UND G-MINI POLY | Spare tanks »G« Series and »G-minik« Series Polycarbonat |
| K-VERBINDUNGSELEMENTE | Connecting sets |
| K-WANDHALTER | Wall bracket |