

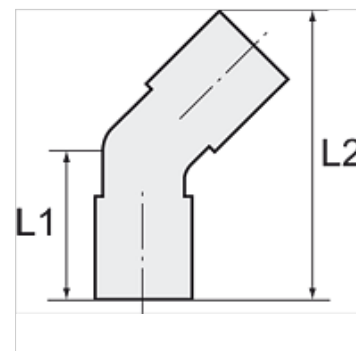
K-STECKVERSCHR 45° DRE AG OR

45° union elbows, swivel type, parallel male thread with O-ring

HANSA FLEX

Vlastnosti

Pracovný tlak	Max. 15 bar, coarse vacuum
Oblasť použitia	Air, vacuum
odporučené hadice	PU or PA (nylon)
Médiá	Compressed air and all gases or liquids that are compatible with the materials
Rozsah teplôt	-20 °C to +80 °C
Tesniaca plocha	Parallel version: O-ring in housing
Materiál	Plastic, Nickel plated brass
Prítláčny krúžok	Plastic



Poznámka

Ďalšie údaje na vyžiadanie.

Popis

Push-in fittings series manufactured in plastic and nickel-plated brass. All parts are suitable for use with hoses, tubes or pipes made of plastic and copper.

Výrobok

Označenie	Závit	pre vonkajší Ø hadice	L1 (mm)	L2 (mm)	SW
K- 07 40 05 47	M 5	4 mm	20,2	34,7	10 mm
K- 07 40 05 48	M 5	6 mm	21,9	36,1	12 mm
K- 07 40 05 59	G 1/8	4 mm	23,2	39,0	12 mm
K- 07 40 05 60	G 1/8	6 mm	24,4	42,0	14 mm
K- 07 40 05 61	G 1/8	8 mm	27,1	47,5	14 mm
K- 07 40 05 58	G 1/8	10 mm	29,7	53,1	17 mm
K- 07 40 05 55	G 1/4	4 mm	24,7	40,5	12 mm
K- 07 40 05 56	G 1/4	6 mm	25,9	43,5	14 mm
K- 07 40 05 57	G 1/4	8 mm	28,6	49,0	17 mm
K- 07 40 05 53	G 1/4	10 mm	30,7	54,1	17 mm
K- 07 40 05 54	G 1/4	12 mm	32,8	60,4	21 mm
K- 07 40 05 64	G 3/8	6 mm	26,2	45,0	14 mm
K- 07 40 05 65	G 3/8	8 mm	30,1	50,5	20 mm
K- 07 40 05 62	G 3/8	10 mm	32,2	55,6	20 mm
K- 07 40 05 63	G 3/8	12 mm	33,8	61,4	21 mm
K- 07 40 05 51	G 1/2	6 mm	30,9	48,5	14 mm
K- 07 40 05 52	G 1/2	8 mm	33,6	54,0	24 mm
K- 07 40 05 49	G 1/2	10 mm	35,7	59,1	19 mm
K- 07 40 05 50	G 1/2	12 mm	37,3	64,9	24 mm