

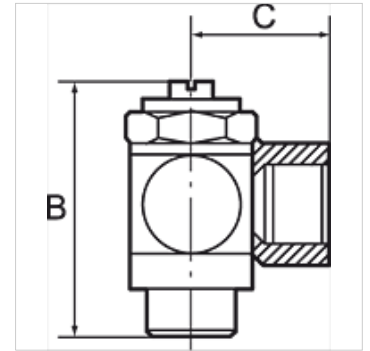
K-DRV GEW V SCHLITZ

Unidirectional flow control valves, incoming air restriction (»V«), screw connection

HANSA FLEX

Vlastnosti

Prevádzkový tlak	max. 10 bar
Rozsah teplôt	0 °C to +70 °C
dutá skrutka, otočné rameno, regulačná skrutka	Nickel-plated brass
vnútorné diely	Brass with a bare metal surface
Tesnenie hubice O-krúžok	NBR
tesnenia (nestratiteľné)	Polyamide (glass fibre-reinforced)



Poznámka

Ďalšie údaje na vyžiadanie.

Popis

For fine regulation of a cylinder piston speed in the forward and return motion and precise control of flow rates. Designed as a banjo-type valve with a hollow bolt and ring piece. Can be screwed directly onto the valve or cylinder to restrict the incoming air. Compact type of construction, also ideal where space is restricted.

Výrobok

Označenie	Prípojka	C (mm)	Závit	SW	B (mm)
K- 07 15 25 21	M 5 female thread	11,5	M 5	8 mm	24,5
K- 07 15 05 70	G 1/8 female thread	16,0	G 1/8	14 mm	32,0
K- 07 15 05 66	G 1/4 female thread	22,0	G 1/4	17 mm	40,0
K- 07 15 25 22	G 3/8 female thread	26,0	G 3/8	20 mm	50,0