

K-G STECK 20-63 IG INFI

Straight push-in connector Ø 20 mm – Ø 63 mm with internal thread

HANSA FLEX

Vlastnosti

Médiá Compressed air, vacuum, inert gases

Prevádzkový tlak -0,99 bar - 15 bar

Rozsah teplôt -20 °C to +80 °C

tesnenie NBR

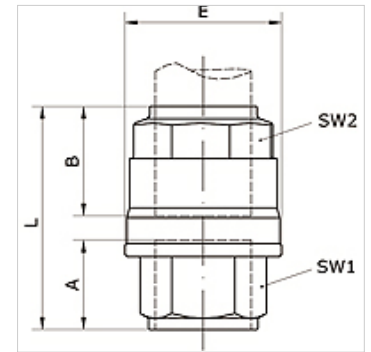
Kryt Nickel-plated brass

zvierací krúžok Stainless steel 1.4301

matica Nickel-plated brass

O-krúžok NBR

poistný krúžok Technopolymer



Výrobok

Označenie	Vonkajší Ø rúrky	Prípojka	A: (mm)	B (mm)	E (mm)	D (mm)	SW1 (mm)	SW2 (mm)
K- 07 40 53 44	20 mm	G 1/2"	15,0	31,5	34,5	49,0	24	30
K- 07 40 53 45	25 mm	G 3/4	16,5	38,5	42,5	56,5	32	35
K- 07 40 53 46	32 mm	G 1	19,0	46,0	52,0	66,5	38	45
K- 07 40 53 47	40 mm	G 1 1/4	22,0	52,0	63,0	76,0	50	55
K- 07 40 53 48	50 mm	G 1 1/2	22,0	63,5	73,0	85,5	55	65