

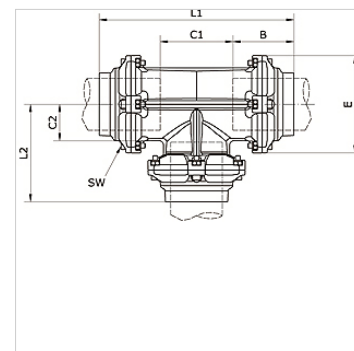
# K-T-STECK VB 80-100 INFI

T-push-in connector Ø 80 mm/Ø 110 mm

**HANSA FLEX**

## Vlastnosti

<b>Médiá</b>	Compressed air, vacuum, inert gases
<b>Prevádzkový tlak</b>	-0,99 bar - 15 bar
<b>Rozsah teplôt</b>	-20 °C to +80 °C
<b>vodiaci krúžok</b>	Technopolymer
<b>Kryt</b>	Aluminium, treated surface
<b>inbusová skrutka</b>	Galvanised steel
<b>zvierací krúžok</b>	Stainless steel 1.4301
<b>matica</b>	Aluminium, surface treated
<b>O-krúžok</b>	NBR
<b>samoistiacia matica</b>	Galvanised steel
<b>poistný krúžok</b>	Technopolymer



## Výrobok

Označenie	Vonkajší Ø rúrky	B (mm)	C1 (mm)	C2 (mm)	E (mm)	L1 (mm)	L2 (mm)	SW (mm)
K- 07 40 55 16	80 - 80 - 80 mm	91,0	109,0	54,5	145,0	291,5	138,0	6
K- 07 40 54 67	110 - 110 - 110 mm	125,5	150,5	75,0	200,0	401,0	200,5	8