

K-BEFESTIGUNGSELEMENTE PF3W

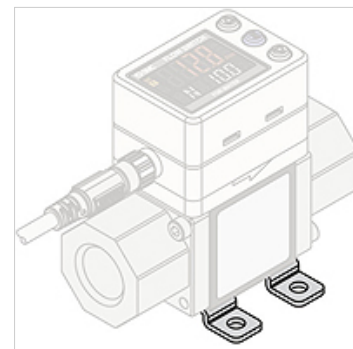
mounting element PF3W

HANSA FLEX

Vlastnosti

Séria PF3W

Ďalšie údaje Accessories for Digital Flow Switch PF3W



Popis

Mount, for PF3W704/720, including 4 self-tapping screws (3 x 8)

Výrobok

Označenie	Vyhotovenie	Definícia
K- 07 60 00 26	including 4-tapping screws (3 x 8)	Mounting element for PF3W704/720
K- 07 60 00 27	including 4-tapping screws (3 x 8)	Mounting element for PF3W740
K- 07 60 00 28	including 4-tapping screws (4 x 10)	Mounting element for PF3W711