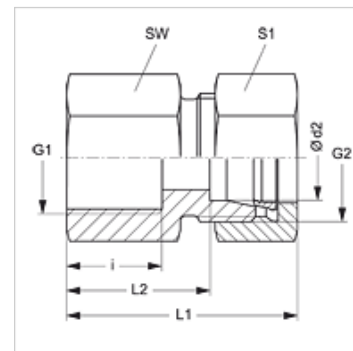


### Lastnosti

|                         |   |
|-------------------------|---|
| <b>Priključek 1</b>     | notranji navoj BSP cilindričen                  |
| <b>Oblika tesnila 1</b> | izvedba A                                       |
| <b>Priključek 2</b>     | metrični zunanji navoj, cilindrični             |
| <b>Oblika tesnila 2</b> | 24° notranji konus                              |
| <b>Način izdelave</b>   | navojni vijačni priključek                      |
| <b>Oblika izdelave</b>  | ravno   |
| <b>Standard</b>         | DIN 2353<br>ISO 8434-1                          |
| <b>Obseg dobave</b>     | nastavek s prekrivno matico in rezalnim obročem |
| <b>Material:</b>        | jeklo   |
| <b>Zaščita površine</b> | galvanično prevlečeno                           |



### Navodilo

Za navodila za montažo, vgradnjo, obremenitev s tlakom in dovoljene temperature delovanja si, prosimo, oglejte tehnične podatke za navojne cevne priključke.

### Artikel

| Opis             | Serija | Obratovalni tlak bar | Ø d2 (mm) | G1           | G2         | i (mm) | L1 (mm) | L2 (mm) | SW (mm) | S1 |
|------------------|--------|----------------------|-----------|--------------|------------|--------|---------|---------|---------|----|
| GAR NW 04 HL     | L      | PN 315               | 6         | G 1/8" -28   | M 12 x 1,5 | 12,0   | 34,0    | 19,0    | 14      | 14 |
| GAR NW 04 HL 1/4 | L      | PN 315               | 6         | G 1/4" -19   | M 12 x 1,5 | 12,0   | 34,0    | 19,0    | 14      | 14 |
| GAR NW 04 HL 3/8 | L      | PN 315               | 6         | G 3/8" -19   | M 12 x 1,5 | 12,0   | 36,0    | 21,0    | 22      | 14 |
| GAR NW 06 HL     | L      | PN 315               | 8         | G 1/4" -19   | M 14 x 1,5 | 17,0   | 39,0    | 24,0    | 19      | 17 |
| GAR NW 06 HL 3/8 | L      | PN 315               | 8         | G 3/8" -19   | M 14 x 1,5 | 17,0   | 36,0    | 21,0    | 22      | 17 |
| GAR NW 06 HL 1/2 | L      | PN 315               | 8         | G 1/2" -14   | M 14 x 1,5 | 20,0   | 44,0    | 29,0    | 27      | 17 |
| GAR NW 08 HL     | L      | PN 315               | 10        | G 1/4" -19   | M 16 x 1,5 | 17,0   | 40,0    | 25,0    | 19      | 19 |
| GAR NW 08 HL 3/8 | L      | PN 315               | 10        | G 3/8" -19   | M 16 x 1,5 | 17,0   | 40,0    | 26,0    | 22      | 19 |
| GAR NW 08 HL 1/2 | L      | PN 315               | 10        | G 1/2" -14   | M 16 x 1,5 | 20,0   | 45,0    | 30,0    | 27      | 19 |
| GAR NW 10 HL 1/4 | L      | PN 315               | 12        | G 1/4" -19   | M 18 x 1,5 | 17,0   | 41,0    | 25,0    | 19      | 22 |
| GAR NW 10 HL     | L      | PN 315               | 12        | G 3/8" -19   | M 18 x 1,5 | 17,0   | 41,0    | 26,0    | 22      | 22 |
| GAR NW 10 HL 1/2 | L      | PN 315               | 12        | G 1/2" -14   | M 18 x 1,5 | 20,0   | 44,0    | 30,0    | 27      | 22 |
| GAR NW 13 HL 3/8 | L      | PN 315               | 15        | G 3/8" -19   | M 22 x 1,5 | 17,0   | 46,0    | 27,0    | 24      | 27 |
| GAR NW 13 HL     | L      | PN 315               | 15        | G 1/2" -14   | M 22 x 1,5 | 20,0   | 45,0    | 30,0    | 27      | 27 |
| GAR NW 16 HL     | L      | PN 315               | 18        | G 1/2" -14   | M 26 x 1,5 | 20,0   | 46,0    | 29,5    | 27      | 32 |
| GAR NW 20 HL     | L      | PN 160               | 22        | G 3/4" -14   | M 30 x 2   | 22,0   | 51,0    | 34,5    | 32      | 36 |
| GAR NW 25 HL     | L      | PN 160               | 28        | G 1" -11     | M 36 x 2   | 24,5   | 53,5    | 37,0    | 41      | 41 |
| GAR NW 32 HL     | L      | PN 160               | 35        | G 1,1/4" -11 | M 45 x 2   | 26,5   | 60,5    | 39,0    | 50      | 50 |
| GAR NW 40 HL     | L      | PN 160               | 42        | G 1,1/2" -11 | M 52 x 2   | 28,5   | 63,5    | 40,5    | 55      | 60 |
| GAR NW 03 HS     | S      | PN 400               | 6         | G 1/4" -19   | M 14 x 1,5 | 17,0   | 41,0    | 26,0    | 19      | 17 |
| GAR NW 04 HS     | S      | PN 400               | 8         | G 1/4" -19   | M 16 x 1,5 | 17,0   | 41,0    | 26,0    | 19      | 19 |
| GAR NW 06 HS     | S      | PN 400               | 10        | G 3/8" -19   | M 18 x 1,5 | 17,0   | 42,0    | 26,5    | 24      | 22 |
| GAR NW 08 HS     | S      | PN 400               | 12        | G 3/8" -19   | M 20 x 1,5 | 17,0   | 42,0    | 26,5    | 24      | 24 |
| GAR NW 10 HS     | S      | PN 400               | 14        | G 1/2" -14   | M 22 x 1,5 | 20,0   | 50,0    | 32,0    | 27      | 27 |
| GAR NW 13 HS     | S      | PN 400               | 16        | G 1/2" -14   | M 24 x 1,5 | 20,0   | 50,0    | 31,5    | 27      | 30 |
| GAR NW 16 HS     | S      | PN 315               | 20        | G 3/4" -14   | M 30 x 2   | 22,0   | 56,0    | 34,5    | 36      | 36 |
| GAR NW 20 HS     | S      | PN 315               | 25        | G 1" -11     | M 36 x 2   | 24,5   | 61,5    | 37,5    | 41      | 46 |
| GAR NW 25 HS     | S      | PN 315               | 30        | G 1,1/4" -11 | M 42 x 2   | 26,5   | 68,5    | 42,0    | 50      | 50 |
| GAR NW 32 HS     | S      | PN 250               | 38        | G 1,1/2" -11 | M 52 x 2   | 28,5   | 74,5    | 43,5    | 60      | 60 |

serija: LL = zelo lahko L = lahko S = težko - PN = nazivni tlak PB = maks. obratovalni tlak - Ø d2 = zunanji premer cevi

### Variante izdelka

|               |  |
|---------------|--|
| <b>GAR MG</b> | Navojni vijačni priključek, med            |
| <b>GAR VA</b> | Navojni vijačni priključek, nerjavno jeklo |
| <b>XGAR</b>   | Vijačni priključek na navoj, jeklo         |