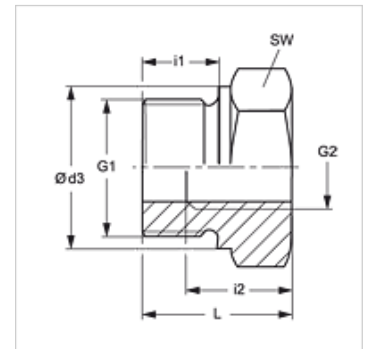
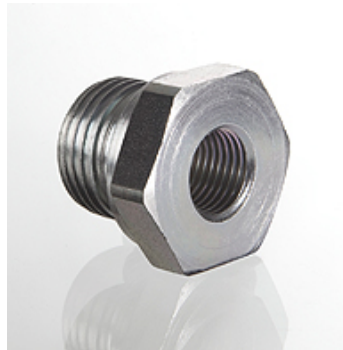


## Lastnosti

<b>Priključek 1</b>	zunanji navoj cilindrični BSP
<b>Oblika tesnila 1</b>	izvedba B
<b>Priključek 2</b>	notranji navoj BSP cilindričen
<b>Način izdelave</b>	menjalni reduktor
<b>Oblika izdelave</b>	kratko
<b>Material:</b>	nerjavno jeklo



## Navodilo

Za navodila za montažo, vgradnjo, obremenitev s tlakom in dovoljene temperature delovanja si, prosimo, oglejte tehnične podatke za navojne cevne priključke.

## Artikel

Opis	Obratovalni tlak bar	G1	G2	Ø d3 (mm)	i1 (mm)	i2 (mm)	L (mm)	SW (mm)
RIK NW 10 03 VA	PN 400	G 3/8" -19	G 1/8" -28	22	12	9	22,5	22
RIK NW 13 03 VA	PN 400	G 1/2" -14	G 1/8" -28	26	14	9	24,0	27
RIK NW 13 06 VA	PN 315	G 1/2" -14	G 1/4" -19	26	14	13	24,0	27
RIK NW 20 03 VA	PN 315	G 3/4" -14	G 1/8" -28	32	16	9	26,0	32
RIK NW 20 06 VA	PN 315	G 3/4" -14	G 1/4" -19	32	16	13	26,0	32
RIK NW 20 10 VA	PN 315	G 3/4" -14	G 3/8" -19	32	16	14	26,0	32
RIK NW 25 06 VA	PN 315	G 1" -11	G 1/4" -19	39	18	14	29,0	41
RIK NW 25 10 VA	PN 315	G 1" -11	G 3/8" -19	39	18	14	29,0	41
RIK NW 25 13 VA	PN 315	G 1" -11	G 1/2" -14	39	18	16	29,0	41
RIK NW 32 13 VA	PN 160	G 1,1/4" -11	G 1/2" -14	49	20	16	32,0	50
RIK NW 32 20 VA	PN 160	G 1,1/4" -11	G 3/4" -14	49	20	18	32,0	50
RIK NW 40 13 VA	PN 160	G 1,1/2" -11	G 1/2" -14	55	22	16	36,0	55
RIK NW 40 20 VA	PN 160	G 1,1/2" -11	G 3/4" -14	55	22	18	36,0	55
RIK NW 40 25 VA	PN 160	G 1,1/2" -11	G 1" -11	55	22	20	36,0	55
RIK NW 50 20 VA	PN 160	G 2" -11	G 3/4" -14	68	24	18	44,0	70
RIK NW 50 25 VA	PN 160	G 2" -11	G 1" -11	68	24	20	44,0	70
RIK NW 50 32 VA	PN 160	G 2" -11	G 1,1/4" -11	68	24	22	44,0	70
RIK NW 50 40 VA	PN 160	G 2" -11	G 1,1/2" -11	68	24	24	44,0	70

PN = nazivni tlak PB = maks. obratovalni tlak

## Variante izdelka

RIK	Menjalni reduktor, kratek, jeklo
RIK MG	Menjalni reduktor, kratek, med