

Lastnosti

Priključek 1 zunanji navoj cilindrični BSP

Oblika tesnila 1 izvedba E

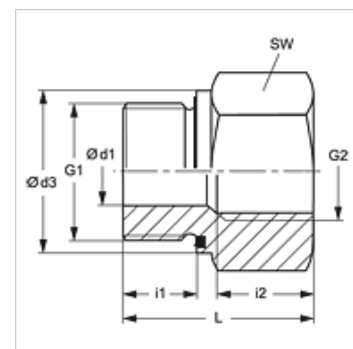
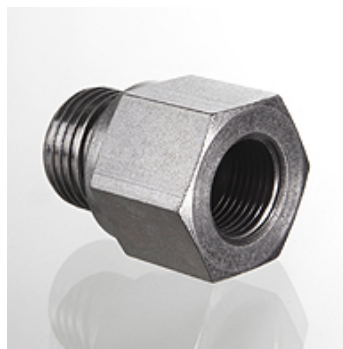
Priključek 2 notranji navoj BSP cilindričen

Način izdelave menjalni reduktor

Oblika izdelave Dolgo

Material: jeklo

Zaščita površine galvanično prevlečeno



Navodilo

Za navodila za montažo, vgradnjo, obremenitev s tlakom in dovoljene temperature delovanja si, prosimo, oglejte tehnične podatke za navojne cevne priključke.

Artikel

| Opis | Obratovalni tlak bar | Ø d1 (mm) | G1 | G2 | Ø d3 (mm) | i1 (mm) | i2 (mm) | L (mm) | SW (mm) |
|-----------------|----------------------|-----------|--------------|--------------|-----------|---------|---------|--------|---------|
| RIL NW 03 06 ED | PN 400 | 4 | G 1/8" -28 | G 1/4" -19 | 13,9 | 8 | 17,0 | 31,0 | 19 |
| RIL NW 03 10 ED | PN 400 | 4 | G 1/8" -28 | G 3/8" -19 | 13,9 | 8 | 17,0 | 32,0 | 24 |
| RIL NW 06 03 ED | PN 400 | 5 | G 1/4" -19 | G 1/8" -28 | 18,9 | 12 | 12,0 | 28,0 | 19 |
| RIL NW 06 10 ED | PN 400 | 5 | G 1/4" -19 | G 3/8" -19 | 18,9 | 12 | 17,0 | 36,0 | 24 |
| RIL NW 06 13 ED | PN 400 | 5 | G 1/4" -19 | G 1/2" -14 | 18,9 | 12 | 20,0 | 40,0 | 27 |
| RIL NW 06 20 ED | PN 400 | 5 | G 1/4" -19 | G 3/4" -14 | 18,9 | 12 | 22,0 | 43,0 | 36 |
| RIL NW 10 06 ED | PN 400 | 8 | G 3/8" -19 | G 1/4" -19 | 21,9 | 12 | 17,0 | 36,0 | 22 |
| RIL NW 10 13 ED | PN 400 | 8 | G 3/8" -19 | G 1/2" -14 | 21,9 | 12 | 20,0 | 41,0 | 27 |
| RIL NW 10 20 ED | PN 315 | 8 | G 3/8" -19 | G 3/4" -14 | 21,9 | 12 | 22,0 | 44,0 | 36 |
| RIL NW 13 10 ED | PN 400 | 12 | G 1/2" -14 | G 3/8" -19 | 26,9 | 14 | 17,0 | 36,0 | 27 |
| RIL NW 13 20 ED | PN 315 | 12 | G 1/2" -14 | G 3/4" -14 | 26,9 | 14 | 22,0 | 46,0 | 36 |
| RIL NW 13 25 ED | PN 315 | 12 | G 1/2" -14 | G 1" -11 | 26,9 | 14 | 24,5 | 49,0 | 41 |
| RIL NW 13 32 ED | PN 315 | 10 | G 1/2" -14 | G 1,1/4" -11 | 26,9 | 14 | 26,5 | 53,0 | 55 |
| RIL NW 20 13 ED | PN 315 | 16 | G 3/4" -14 | G 1/2" -14 | 31,9 | 16 | 20,0 | 41,0 | 32 |
| RIL NW 20 25 ED | PN 315 | 16 | G 3/4" -14 | G 1" -11 | 31,9 | 16 | 24,5 | 51,0 | 41 |
| RIL NW 20 32 ED | PN 315 | 16 | G 3/4" -14 | G 1,1/4" -11 | 31,9 | 16 | 26,5 | 55,0 | 55 |
| RIL NW 20 40 ED | PN 250 | 16 | G 3/4" -14 | G 1,1/2" -11 | 31,9 | 16 | 28,5 | 57,0 | 60 |
| RIL NW 25 20 ED | PN 315 | 20 | G 1" -11 | G 3/4" -14 | 39,9 | 18 | 22,0 | 47,0 | 41 |
| RIL NW 25 32 ED | PN 315 | 20 | G 1" -11 | G 1,1/4" -11 | 39,9 | 18 | 26,5 | 57,0 | 55 |
| RIL NW 25 40 ED | PN 250 | 20 | G 1" -11 | G 1,1/2" -11 | 39,9 | 18 | 28,5 | 59,0 | 60 |
| RIL NW 32 25 ED | PN 315 | 25 | G 1,1/4" -11 | G 1" -11 | 49,9 | 20 | 24,5 | 52,0 | 50 |
| RIL NW 32 40 ED | PN 250 | 25 | G 1,1/4" -11 | G 1,1/2" -11 | 49,9 | 20 | 28,5 | 60,0 | 60 |
| RIL NW 40 32 ED | PN 250 | 32 | G 1,1/2" -11 | G 1,1/4" -11 | 54,9 | 22 | 26,5 | 58,0 | 55 |
| RIL NW 50 40 ED | PN 160 | 40 | G 2" -11 | G 1,1/2" -11 | 69,9 | 24 | 28,5 | 65,5 | 70 |

PN = nazivni tlak PB = maks. obratovalni tlak

Variante izdelka

RIL ED VA Menjalni reduktor, dolg, nerjavno jeklo

Nadomestni deli

WD Mehko tesnilo za vijačne spoje ED