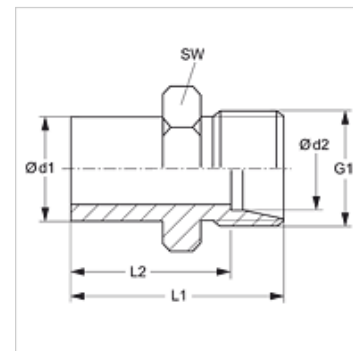


Lastnosti

| | |
|-------------------------|--|
| Priključek 1 | cevnki nastavki niso vnaprej montirani |
| Oblika tesnila 1 | priključek za rezni obroč |
| Priključek 2 | metrični zunanji navoj, cilindrični |
| Oblika tesnila 2 | 24° notranji konus |
| Način izdelave | reducirni vijačni priključek, ne predmontiran |
| Oblika izdelave | ravno |
| Obseg dobave | nastavek (brez prekrivne matice in rezalnega obroča) |
| Material: | jeklo |
| Zaščita površine | galvanično prevlečeno |



Navodilo

Za navodila za montažo, vgradnjo, obremenitev s tlakom in dovoljene temperature delovanja si, prosimo, oglejte tehnične podatke za navojne cevne priključke.

Artikel

| Opis | Serija | Obratovalni tlak bar | Ø d1 (mm) | Ø d2 (mm) | G1 | L1 (mm) | L2 (mm) | SW (mm) |
|------------------|--------|----------------------|-----------|-----------|------------|---------|---------|---------|
| XNAH NW 04 LL 04 | L / LL | PN 100 | 6 | 4 | M 8 x 1 | 28,5 | 24,0 | 11 |
| XNAH NW 06 LL 04 | L / LL | PN 100 | 8 | 4 | M 8 x 1 | 28,5 | 24,5 | 12 |
| XNAH NW 08 LL 04 | L / LL | PN 100 | 10 | 4 | M 8 x 1 | 28,5 | 24,5 | 11 |
| XNAH NW 10 LL 04 | L / LL | PN 100 | 12 | 4 | M 8 x 1 | 28,5 | 24,5 | 11 |
| XNAH NW 06 L 04 | L | PN 315 | 8 | 6 | M 12 x 1,5 | 33,5 | 26,5 | 12 |
| XNAH NW 08 L 04 | L | PN 315 | 10 | 6 | M 12 x 1,5 | 34,0 | 27,0 | 12 |
| XNAH NW 08 L 06 | L | PN 315 | 10 | 8 | M 14 x 1,5 | 34,5 | 27,5 | 14 |
| XNAH NW 10 L 04 | L | PN 315 | 12 | 6 | M 12 x 1,5 | 35,0 | 28,0 | 14 |
| XNAH NW 10 L 06 | L | PN 315 | 12 | 8 | M 14 x 1,5 | 36,0 | 29,0 | 14 |
| XNAH NW 10 L 08 | L | PN 315 | 12 | 10 | M 16 x 1,5 | 37,0 | 30,0 | 17 |
| XNAH NW 10 L | L | PN 315 | 12 | 12 | M 18 x 1,5 | 38,0 | 31,0 | 19 |
| XNAH NW 13 L 04 | L | PN 315 | 15 | 6 | M 12 x 1,5 | 36,0 | 29,0 | 17 |
| XNAH NW 13 L 06 | L | PN 315 | 15 | 8 | M 14 x 1,5 | 36,0 | 29,0 | 17 |
| XNAH NW 13 L 08 | L | PN 315 | 15 | 10 | M 16 x 1,5 | 37,0 | 30,0 | 17 |
| XNAH NW 13 L 10 | L | PN 315 | 15 | 12 | M 18 x 1,5 | 38,0 | 31,0 | 19 |
| XNAH NW 13 L | L | PN 315 | 15 | 15 | M 22 x 1,5 | 39,0 | 32,0 | 24 |
| XNAH NW 16 L 04 | L | PN 315 | 18 | 6 | M 12 x 1,5 | 37,0 | 30,0 | 19 |
| XNAH NW 16 L 06 | L | PN 315 | 18 | 8 | M 14 x 1,5 | 38,0 | 31,0 | 19 |
| XNAH NW 16 L 08 | L | PN 315 | 18 | 10 | M 16 x 1,5 | 39,0 | 32,0 | 19 |
| XNAH NW 16 L 10 | L | PN 315 | 18 | 12 | M 18 x 1,5 | 40,0 | 33,0 | 19 |
| XNAH NW 16 L 13 | L | PN 315 | 18 | 15 | M 22 x 1,5 | 39,5 | 32,5 | 24 |
| XNAH NW 20 L 04 | L | PN 160 | 22 | 6 | M 14 x 1,5 | 39,0 | 32,0 | 24 |
| XNAH NW 20 L 06 | L | PN 160 | 22 | 8 | M 16 x 1,5 | 40,0 | 33,0 | 24 |
| XNAH NW 20 L 08 | L | PN 160 | 22 | 10 | M 18 x 1,5 | 42,0 | 35,0 | 24 |
| XNAH NW 20 L 10 | L | PN 160 | 22 | 12 | M 18 x 1,5 | 42,0 | 35,0 | 24 |
| XNAH NW 20 L 13 | L | PN 160 | 22 | 15 | M 22 x 1,5 | 43,0 | 36,0 | 24 |
| XNAH NW 20 L 16 | L | PN 160 | 22 | 18 | M 26 x 1,5 | 44,0 | 36,5 | 27 |
| XNAH NW 25 L 04 | L | PN 160 | 28 | 6 | M 12 x 1,5 | 41,0 | 34,0 | 30 |
| XNAH NW 25 L 06 | L | PN 160 | 28 | 8 | M 14 x 1,5 | 41,0 | 34,0 | 30 |
| XNAH NW 25 L 08 | L | PN 160 | 28 | 10 | M 16 x 1,5 | 42,0 | 35,0 | 30 |
| XNAH NW 25 L 10 | L | PN 160 | 28 | 12 | M 18 x 1,5 | 43,0 | 36,0 | 30 |
| XNAH NW 25 L 13 | L | PN 160 | 28 | 15 | M 22 x 1,5 | 44,0 | 37,0 | 30 |
| XNAH NW 25 L 16 | L | PN 160 | 28 | 18 | M 26 x 1,5 | 45,0 | 37,5 | 30 |
| XNAH NW 25 L 20 | L | PN 160 | 28 | 22 | M 30 x 2 | 47,0 | 39,5 | 32 |
| XNAH NW 32 L 04 | L | PN 160 | 35 | 6 | M 12 x 1,5 | 47,0 | 40,0 | 36 |
| XNAH NW 32 L 06 | L | PN 160 | 35 | 8 | M 14 x 1,5 | 47,0 | 40,0 | 36 |
| XNAH NW 32 L 08 | L | PN 160 | 35 | 10 | M 16 x 1,5 | 48,0 | 41,0 | 36 |
| XNAH NW 32 L 10 | L | PN 160 | 35 | 12 | M 18 x 1,5 | 49,0 | 42,0 | 36 |
| XNAH NW 32 L 13 | L | PN 160 | 35 | 15 | M 22 x 1,5 | 50,0 | 43,0 | 36 |
| XNAH NW 32 L 16 | L | PN 160 | 35 | 18 | M 26 x 1,5 | 49,5 | 42,0 | 36 |
| XNAH NW 32 L 20 | L | PN 160 | 35 | 22 | M 30 x 2 | 53,0 | 45,5 | 36 |
| XNAH NW 32 L 25 | L | PN 160 | 35 | 28 | M 36 x 2 | 54,0 | 46,5 | 41 |
| XNAH NW 40 L 04 | L | PN 160 | 42 | 6 | M 12 x 1,5 | 49,5 | 42,5 | 46 |



| Artikel | | | | | | | | |
|-------------------|--------|----------------------|-----------|-----------|------------|---------|---------|---------|
| Opis | Serija | Obratovalni tlak bar | Ø d1 (mm) | Ø d2 (mm) | G1 | L1 (mm) | L2 (mm) | SW (mm) |
| XNAH NW 40 L 06 | L | PN 160 | 42 | 8 | M 14 x 1,5 | 49,5 | 42,5 | 46 |
| XNAH NW 40 L 08 | L | PN 160 | 42 | 10 | M 16 x 1,5 | 49,0 | 42,0 | 46 |
| XNAH NW 40 L 10 | L | PN 160 | 42 | 12 | M 18 x 1,5 | 50,0 | 43,0 | 46 |
| XNAH NW 40 L 13 | L | PN 160 | 42 | 15 | M 22 x 1,5 | 52,0 | 45,0 | 46 |
| XNAH NW 40 L 16 | L | PN 160 | 42 | 18 | M 26 x 1,5 | 51,5 | 44,0 | 46 |
| XNAH NW 40 L 20 | L | PN 160 | 42 | 22 | M 30 x 2 | 53,5 | 46,0 | 46 |
| XNAH NW 40 L 25 | L | PN 160 | 42 | 28 | M 36 x 2 | 55,0 | 47,5 | 46 |
| XNAH NW 40 L 32 | L | PN 160 | 42 | 35 | M 45 x 2 | 58,0 | 47,5 | 46 |
| XNAH NW 16 L 13 S | L / S | PN 315 | 18 | 16 | M 24 x 1,5 | 40,0 | 36,0 | 27 |
| XNAH NW 20 L 13 S | L / S | PN 160 | 22 | 16 | M 24 x 1,5 | 43,0 | 38,0 | 27 |
| XNAH NW 20 L 16 S | L / S | PN 160 | 22 | 20 | M 30 x 2 | 45,0 | 38,0 | 32 |
| XNAH NW 25 L 13 S | L / S | PN 160 | 28 | 16 | M 24 x 1,5 | 45,0 | 39,0 | 32 |
| XNAH NW 25 L 20 S | L / S | PN 160 | 28 | 25 | M 36 x 2 | 50,0 | 40,5 | 41 |
| XNAH NW 04 S 03 | S | PN 630 | 8 | 6 | M 14 x 1,5 | 37,0 | 30,0 | 17 |
| XNAH NW 06 S 03 | S | PN 630 | 10 | 6 | M 14 x 1,5 | 39,0 | 32,0 | 17 |
| XNAH NW 06 S 04 | S | PN 630 | 10 | 8 | M 16 x 1,5 | 34,0 | 31,0 | 17 |
| XNAH NW 08 S 03 | S | PN 630 | 12 | 6 | M 14 x 1,5 | 39,0 | 32,0 | 17 |
| XNAH NW 08 S 04 | S | PN 630 | 12 | 8 | M 16 x 1,5 | 41,0 | 34,0 | 17 |
| XNAH NW 08 S 06 | S | PN 630 | 12 | 10 | M 18 x 1,5 | 41,0 | 33,5 | 19 |
| XNAH NW 10 S 03 | S | PN 630 | 14 | 6 | M 14 x 1,5 | 42,0 | 35,0 | 17 |
| XNAH NW 10 S 04 | S | PN 630 | 14 | 8 | M 16 x 1,5 | 44,0 | 37,0 | 17 |
| XNAH NW 10 S 06 | S | PN 630 | 14 | 10 | M 18 x 1,5 | 44,0 | 36,5 | 19 |
| XNAH NW 10 S 08 | S | PN 630 | 14 | 12 | M 20 x 1,5 | 46,0 | 38,5 | 22 |
| XNAH NW 13 S 03 | S | PN 630 | 16 | 6 | M 14 x 1,5 | 42,0 | 35,0 | 17 |
| XNAH NW 13 S 04 | S | PN 630 | 16 | 8 | M 16 x 1,5 | 44,0 | 37,0 | 17 |
| XNAH NW 13 S 06 | S | PN 630 | 16 | 10 | M 18 x 1,5 | 44,0 | 36,5 | 19 |
| XNAH NW 13 S 08 | S | PN 630 | 16 | 12 | M 20 x 1,5 | 46,0 | 38,5 | 22 |
| XNAH NW 13 S 10 | S | PN 630 | 16 | 14 | M 22 x 1,5 | 48,0 | 40,0 | 24 |
| XNAH NW 16 S 03 | S | PN 400 | 20 | 6 | M 14 x 1,5 | 49,0 | 42,0 | 22 |
| XNAH NW 16 S 04 | S | PN 400 | 20 | 8 | M 16 x 1,5 | 49,0 | 42,0 | 22 |
| XNAH NW 16 S 06 | S | PN 400 | 20 | 10 | M 18 x 1,5 | 50,0 | 42,5 | 22 |
| XNAH NW 16 S 08 | S | PN 400 | 20 | 12 | M 20 x 1,5 | 51,0 | 43,5 | 22 |
| XNAH NW 16 S 10 | S | PN 400 | 20 | 14 | M 22 x 1,5 | 53,0 | 45,0 | 24 |
| XNAH NW 16 S 13 | S | PN 400 | 20 | 16 | M 24 x 1,5 | 53,0 | 44,5 | 27 |
| XNAH NW 20 S 03 | S | PN 400 | 25 | 6 | M 14 x 1,5 | 51,0 | 44,0 | 27 |
| XNAH NW 20 S 04 | S | PN 400 | 25 | 8 | M 16 x 1,5 | 51,0 | 44,0 | 27 |
| XNAH NW 20 S 06 | S | PN 400 | 25 | 10 | M 18 x 1,5 | 51,0 | 43,5 | 27 |
| XNAH NW 20 S 08 | S | PN 400 | 25 | 12 | M 20 x 1,5 | 53,0 | 44,5 | 27 |
| XNAH NW 20 S 10 | S | PN 400 | 25 | 14 | M 22 x 1,5 | 55,0 | 47,0 | 27 |
| XNAH NW 20 S 13 | S | PN 400 | 25 | 16 | M 24 x 1,5 | 56,0 | 47,5 | 27 |
| XNAH NW 20 S 16 | S | PN 400 | 25 | 20 | M 30 x 2 | 59,0 | 48,5 | 32 |
| XNAH NW 25 S 03 | S | PN 400 | 30 | 6 | M 14 x 1,5 | 59,0 | 52,0 | 32 |
| XNAH NW 25 S 04 | S | PN 400 | 30 | 8 | M 16 x 1,5 | 59,0 | 52,0 | 32 |
| XNAH NW 25 S 06 | S | PN 400 | 30 | 10 | M 18 x 1,5 | 59,0 | 51,5 | 32 |
| XNAH NW 25 S 08 | S | PN 400 | 30 | 12 | M 20 x 1,5 | 59,0 | 51,5 | 32 |
| XNAH NW 25 S 10 | S | PN 400 | 30 | 14 | M 22 x 1,5 | 58,0 | 50,0 | 32 |
| XNAH NW 25 S 13 | S | PN 400 | 30 | 16 | M 24 x 1,5 | 61,0 | 52,5 | 32 |
| XNAH NW 25 S 16 | S | PN 400 | 30 | 20 | M 30 x 2 | 60,0 | 49,5 | 32 |
| XNAH NW 25 S 20 | S | PN 400 | 30 | 25 | M 36 x 2 | 69,0 | 57,0 | 41 |
| XNAH NW 32 S 03 | S | PN 315 | 38 | 6 | M 14 x 1,5 | 62,0 | 55,0 | 41 |
| XNAH NW 32 S 04 | S | PN 315 | 38 | 8 | M 16 x 1,5 | 62,0 | 55,0 | 41 |
| XNAH NW 32 S 06 | S | PN 315 | 38 | 10 | M 18 x 1,5 | 62,0 | 54,5 | 41 |
| XNAH NW 32 S 08 | S | PN 315 | 38 | 12 | M 20 x 1,5 | 62,0 | 54,5 | 41 |
| XNAH NW 32 S 10 | S | PN 315 | 38 | 14 | M 22 x 1,5 | 65,0 | 57,0 | 41 |
| XNAH NW 32 S 13 | S | PN 315 | 38 | 16 | M 24 x 1,5 | 64,0 | 55,5 | 41 |
| XNAH NW 32 S 16 | S | PN 315 | 38 | 20 | M 30 x 2 | 67,0 | 56,5 | 41 |
| XNAH NW 32 S 20 | S | PN 315 | 38 | 25 | M 36 x 2 | 72,0 | 60,0 | 41 |
| XNAH NW 32 S 25 | S | PN 315 | 38 | 30 | M 42 x 2 | 74,0 | 60,5 | 46 |
| XNAH NW 13 S 13 L | S / L | PN 315 | 16 | 15 | M 22 x 1,5 | 39,0 | 37,0 | 24 |
| XNAH NW 16 S 13 L | S / L | PN 315 | 20 | 15 | M 22 x 1,5 | 43,0 | 43,0 | 24 |



Artikel

| Opis | Serijska | Obratovalni tlak bar | Ø d1 (mm) | Ø d2 (mm) | G1 | L1 (mm) | L2 (mm) | SW (mm) |
|-------------------|----------|----------------------|-----------|-----------|------------|---------|---------|---------|
| XNAH NW 16 S 16 L | S / L | PN 315 | 20 | 18 | M 26 x 1,5 | 43,0 | 42,5 | 27 |
| XNAH NW 20 S 20 L | S / L | PN 160 | 25 | 22 | M 30 x 2 | 47,5 | 48,5 | 32 |
| XNAH NW 25 S 25 L | S / L | PN 160 | 30 | 28 | M 36 x 2 | 53,0 | 50,5 | 41 |

serija: LL = zelo lahko L = lahko S = težko – PN = nazivni tlak PB = maks. obratovalni tlak – Ø d1 = zunanji premer cevi – Ø d2 = zunanji premer cevi

Variante izdelka

| | |
|---------|---|
| XNAH VA | Reducirni vijačni priključek, ne predmontiran, nerjavno jeklo |
| NAH | Reducirni vijačni priključek, ne predmontiran, jeklo |

Dodatni elementi

| | |
|-----|-----------------------|
| VOM | Predmontažni nastavki |
|-----|-----------------------|