

W90 HB HN

Uvojni cevni nastavek, kot 90°

HANSA FLEX

Lastnosti

Priključek 1 zunanji navoj cilindrični BSP

Oblika tesnila 1 60° notranji konus

Priključek 2 Zunanji navoj NPT

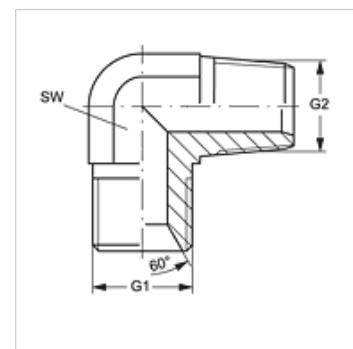
Oblika tesnila 2 tesni navoje

Način izdelave uvojni cevni nastavek

Oblika izdelave koleno 90°

Material: jeklo

Zaščita površine galvanično prevlečeno



Artikel

Opis	G1	G2	SW (mm)
W90 HB 02 HN	G 1/8" -28	1/8" -27 NPT	11
W90 HB 04 HN 02	G 1/4" -19	1/8" -27 NPT	14
W90 HB 04 HN	G 1/4" -19	1/4" -18 NPT	14
W90 HB 06 HN 04	G 3/8" -19	1/4" -18 NPT	19
W90 HB 06 HN	G 3/8" -19	3/8" -18 NPT	19
W90 HB 06 HN 08	G 3/8" -19	1/2" -14 NPT	22
W90 HB 08 HN 06	G 1/2" -14	3/8" -18 NPT	22
W90 HB 08 HN	G 1/2" -14	1/2" -14 NPT	22
W90 HB 12 HN 08	G 3/4" -14	1/2" -14 NPT	27
W90 HB 12 HN	G 3/4" -14	3/4" -14 NPT	27
W90 HB 16 HN	G 1" -11	1" -11,5 NPT	33
W90 HB 20 HN	G 1,1/4" -11	1,1/4" -11,5 NPT	41
W90 HB 24 HN	G 1,1/2" -11	1,1/2" -11,5 NPT	50
W90 HB 32 HN	G 2" -11	2" -11,5 NPT	55

SW = ključna širina