

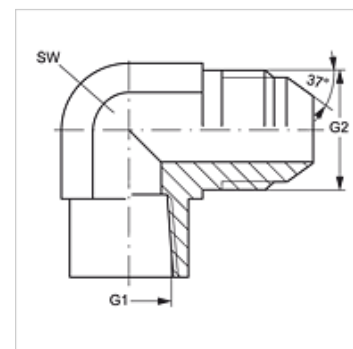
# W90 IN HJ

Navojni cevni nastavek, IGN AGJ kot 90°

**HANSA FLEX**

## Lastnosti

|                         |                        |
|-------------------------|------------------------|
| <b>Priključek 1</b>     | notranji navoj NPT     |
| <b>Oblika tesnila 1</b> | tesni navoje           |
| <b>Priključek 2</b>     | zunani navoj UN/UNF    |
| <b>Oblika tesnila 2</b> | 74° zunanji konus      |
| <b>Način izdelave</b>   | navojni cevni nastavek |
| <b>Oblika izdelave</b>  | koleno 90°             |
| <b>Material:</b>        | jeklo                  |
| <b>Zaščita površine</b> | galvanično prevlečeno  |



## Artikel

| Opis            | G1               | G2             | SW<br>(mm) |
|-----------------|------------------|----------------|------------|
| W90 IN 02 HJ 04 | 1/8" -27 NPT     | 7/16" -20 UNF  | 14         |
| W90 IN 02 HJ 05 | 1/8" -27 NPT     | 1/2" -20 UNF   | 14         |
| W90 IN 02 HJ 06 | 1/8" -27 NPT     | 9/16" -18 UNF  | 14         |
| W90 IN 04 HJ    | 1/4" -18 NPT     | 7/16" -20 UNF  | 19         |
| W90 IN 04 HJ 05 | 1/4" -18 NPT     | 1/2" -20 UNF   | 19         |
| W90 IN 04 HJ 06 | 1/4" -18 NPT     | 9/16" -18 UNF  | 19         |
| W90 IN 04 HJ 08 | 1/4" -18 NPT     | 3/4" -16 UNF   | 19         |
| W90 IN 06 HJ    | 3/8" -18 NPT     | 9/16" -18 UNF  | 22         |
| W90 IN 06 HJ 08 | 3/8" -18 NPT     | 3/4" -16 UNF   | 22         |
| W90 IN 08 HJ    | 1/2" -14 NPT     | 3/4" -16 UNF   | 27         |
| W90 IN 08 HJ 10 | 1/2" -14 NPT     | 7/8" -14 UNF   | 27         |
| W90 IN 08 HJ 12 | 1/2" -14 NPT     | 1.1/16" -12 UN | 27         |
| W90 IN 12 HJ    | 3/4" -14 NPT     | 1.1/16" -12 UN | 33         |
| W90 IN 16 HJ    | 1" -11,5 NPT     | 1,5/16" -12 UN | 41         |
| W90 IN 20 HJ    | 1,1/4" -11,5 NPT | 1,5/8" -12 UN  | 48         |
| W90 IN 24 HJ    | 1,1/2" -11,5 NPT | 1,7/8" -12 UN  | 64         |

SW = ključna širina

## Variante izdelka

W90 IN HJ VA Navojni cevni nastavek, IGN AGJ kot 90°, nerjavno jeklo