

RD IR VA

Povratni ventil, veznik

HANSA FLEX

Lastnosti

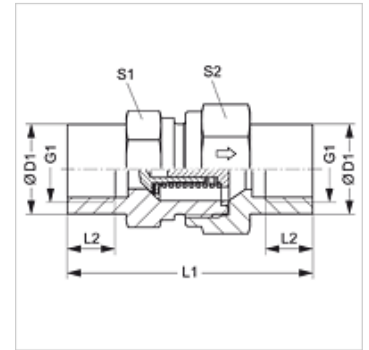
Priključek 1 + 2 notranji navoj BSP cilindričen

Oblika tesnila 1 + 2 izvedba A

Način izdelave povratni ventil, veznik

Oblika izdelave ravno

Material: nerjavno jeklo



Artikel

| Opis | Vklopni tlak | Obratovalni tlak bar | G1 | Ø D1 (mm) | L1 (mm) | L2 (mm) | S1 | S2 |
|----------------|--------------|----------------------|--------------|-----------|---------|---------|----|----|
| RD NW 04 IR VA | ca. 1 bar | PN 400 | G 1/8" -28 | 19,0 | 42,5 | 8,0 | 19 | 19 |
| RD NW 06 IR VA | ca. 1 bar | PN 400 | G 1/4" -19 | 19,0 | 51,0 | 12,0 | 19 | 19 |
| RD NW 10 IR VA | ca. 1 bar | PN 400 | G 3/8" -19 | 24,0 | 60,0 | 12,0 | 24 | 27 |
| RD NW 13 IR VA | ca. 1 bar | PN 315 | G 1/2" -14 | 32,0 | 72,0 | 15,0 | 32 | 36 |
| RD NW 20 IR VA | ca. 1 bar | PN 250 | G 3/4" -14 | 41,0 | 84,0 | 16,5 | 41 | 46 |
| RD NW 25 IR VA | ca. 1 bar | PN 250 | G 1" -11 | 46,0 | 95,0 | 19,0 | 46 | 50 |
| RD NW 32 IR VA | ca. 1 bar | PN 250 | G 1,1/4" -11 | 60,0 | 110,0 | 21,5 | 60 | 60 |
| RD NW 40 IR VA | ca. 1 bar | PN 250 | G 1,1/2" -11 | 65,0 | 114,0 | 22,0 | 65 | 70 |
| RD NW 50 IR VA | ca. 1 bar | PN 250 | G 2" -11 | - | 120,0 | 26,0 | 75 | 75 |

PN = nazivni tlak PB = maks. obratovalni tlak – SW, S1, S2 = ključna širina

Variante izdelka

RD IR Povratni ventil, veznik, jeklo