

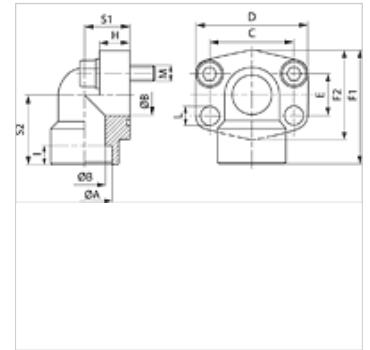
AFS 90 S M (3000 / 6000 PSI)

Privaritvena prirobnica SAE, kot 90°

HANSA FLEX

Lastnosti

| | |
|-------------------------|--|
| Standard | SAE J 518 C ISO 6162 |
| Oblika izdelave | koleno 90° |
| Način izdelave | notranja varjena prirobnica SAE |
| Pritrditev | vijačna vrtina |
| Obseg dobave | s kompletom metričnih vijakov in tesnilnim obročem |
| Material: | S355J2G3 (ST52.3) |
| Zaščita površine | črno naoljeno |



Navodilo

Navedeni najvišji obratovalni tlak velja za prirobnico! Dejanski obratovalni tlak se določa na osnovi cevi (debeline stene) in na osnovi kvalitete cevi!

Artikel

| Opis | Tlačna vrsta | PB 10.9 (bar) | Velikost | Ø A (mm) | Ø B (mm) | C (mm) | D (mm) | E (mm) | F1 (mm) | F2 (mm) | H (mm) | I (mm) | S1 (mm) | S2 (mm) | L (mm) | M metr. |
|---------------------------|--------------|---------------|----------|----------|----------|--------|--------|--------|---------|---------|--------|--------|---------|---------|--------|------------|
| AFS 80/90 S M | 3000 PSI | 350 | 1/2" | 21,6 | 13 | 38,1 | 54 | 17,5 | 60 | 48 | 16,0 | 10 | 20 | 37 | 9,0 | M 8 x 30 |
| AFS 80/90 S M 038 | 3000 PSI | 350 | 1/2" | 17,5 | 13 | 38,1 | 54 | 17,5 | 60 | 48 | 16,0 | 10 | 20 | 37 | 9,0 | M 8 x 30 |
| AFS 100/90 S M | 3000 PSI | 350 | 3/4" | 27,2 | 19 | 47,6 | 65 | 22,2 | 63 | 50 | 18,0 | 10 | 24 | 38 | 11,0 | M 10 x 35 |
| AFS 102/90 S M | 3000 PSI | 315 | 1" | 35,0 | 25 | 52,4 | 70 | 26,2 | 70 | 60 | 19,0 | 12 | 28 | 43 | 11,0 | M 10 x 35 |
| AFS 104/90 S M | 3000 PSI | 250 | 1.1/4" | 42,8 | 32 | 58,7 | 79 | 30,2 | 85 | 68 | 21,0 | 14 | 34 | 51 | 11,5 | M 10 x 40 |
| AFS 106/90 S M | 3000 PSI | 200 | 1.1/2" | 48,6 | 38 | 69,9 | 93 | 35,7 | 95 | 78 | 25,0 | 16 | 38 | 56 | 13,5 | M 12 x 45 |
| AFS 108/90 S M | 3000 PSI | 200 | 2" | 61,0 | 51 | 77,8 | 110 | 42,9 | 110 | 90 | 25,0 | 18 | 42 | 65 | 13,5 | M 12 x 45 |
| AFS 401/90 S M | 6000 PSI | 400 | 1/2" | 21,6 | 13 | 40,5 | 54 | 18,2 | 60 | 48 | 16,0 | 10 | 20 | 37 | 9,0 | M 8 x 30 |
| AFS 401/90 S M 038 | 6000 PSI | 400 | 1/2" | 17,5 | 13 | 40,5 | 54 | 18,2 | 60 | 48 | 16,0 | 10 | 20 | 37 | 9,0 | M 8 x 30 |
| AFS 402/90 S M | 6000 PSI | 400 | 3/4" | 27,2 | 19 | 50,8 | 70 | 23,8 | 70 | 60 | 19,0 | 12 | 28 | 43 | 11,0 | M 10 x 35 |
| AFS 403/90 S M | 6000 PSI | 400 | 1" | 35,0 | 25 | 57,2 | 79 | 27,8 | 85 | 70 | 21,0 | 14 | 34 | 51 | 13,0 | M 12 x 45 |
| AFS 404/90 S M | 6000 PSI | 400 | 1.1/4" | 42,8 | 32 | 66,7 | 93 | 31,8 | 95 | 78 | 25,0 | 16 | 38 | 56 | 15,0 | M 14 x 50 |
| AFS 405/90 S M | 6000 PSI | 400 | 1.1/2" | 48,6 | 38 | 79,4 | 110 | 36,5 | 110 | 94 | 25,0 | 18 | 42 | 65 | 17,5 | M 16 x 50 |
| AFS 406/90 S M | 6000 PSI | 400 | 2" | 61,0 | 51 | 96,8 | 134 | 44,5 | 150 | 106 | 25,0 | 18 | 60 | 92 | 21,0 | M 20 x 110 |

PN = nazivni tlak PB = maks. obratovalni tlak

Variante izdelka

| | |
|-------------------------------------|---|
| AFS 90 S (3000 PSI) | Privaritvena prirobnica SAE, kot 90°, samo prirobnica |
| AFS 90 S U (3000 / 6000 PSI) | Privaritvena prirobnica SAE, kot 90°, z UNC vijaki in tesnilnim obročem |