

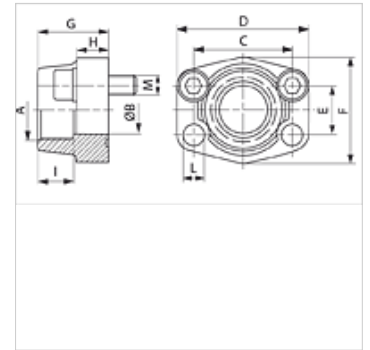
AFS N U (3000 / 6000 PSI)

Uvojna prirobnica SAE, NPT

HANSA FLEX

Lastnosti

Standard	SAE J 518 C ISO 6162
Oblika izdelave	ravno
Način izdelave	SAE uvojna prirobnica
Pritrditev	vijačna vrtina
Obseg dobave	z UNC vijaki in tesnilnim obročem
Material:	S355J2G3 (ST52.3)
Zaščita površine	črno naoljeno



Navodilo

Navedeni najvišji obratovalni tlak velja za prirobnico! Dejanski obratovalni tlak se določa na osnovi cevi (debeline stene) in na osnovi kvalitete cevi!

Artikel

Opis	Tlačna vrsta	PB 10.9	Velikost	A	Ø B	C	D	E	F	G	H	I	L	M unc
		(bar)			(mm)	(mm)	(mm)	(mm)	(mm)	(mm)	(mm)	(mm)	(mm)	
AFS 80 N 1/2 U	3000 PSI	350	1/2"	NPT 1/2"	13	38,1	54	17,5	46	36	16	19	9,0	5/16" x 1.1/4"
AFS 80 N 3/8 U	3000 PSI	350	1/2"	NPT 3/8"	13	38,1	54	17,5	46	36	16	19	9,0	5/16" x 1.1/4"
AFS 100 N 1/2 U	3000 PSI	350	3/4"	NPT 1/2"	13	47,6	65	22,2	50	36	18	19	11,0	3/8" x 1.1/2"
AFS 100 N 3/4 U	3000 PSI	350	3/4"	NPT 3/4"	19	47,6	65	22,2	50	36	18	19	11,0	3/8" x 1.1/2"
AFS 102 N 3/4 U	3000 PSI	315	1"	NPT 3/4"	19	52,4	70	26,2	55	35	21	19	11,0	3/8" x 1.1/2"
AFS 102 N 1 U	3000 PSI	315	1"	NPT 1"	25	52,4	70	26,2	55	38	18	22	11,0	3/8" x 1.1/2"
AFS 104 N 1 U	3000 PSI	250	1.1/4"	NPT 1"	25	58,7	81	30,2	65	42	25	22	11,5	7/16" x 1.1/2"
AFS 104 N 1 1/4 U	3000 PSI	250	1.1/4"	NPT 1,1/4"	32	58,7	79	30,2	68	41	21	22	11,5	7/16" x 1.1/2"
AFS 106 N 1 1/4 U	3000 PSI	200	1.1/2"	NPT 1,1/4"	32	69,9	95	35,7	78	45	27	24	13,5	1/2" x 1.3/4"
AFS 106 N 1 1/2 U	3000 PSI	200	1.1/2"	NPT 1.1/2"	38	69,9	93	35,7	78	45	25	24	13,5	1/2" x 1.3/4"
AFS 108 N 1 1/2 U	3000 PSI	200	2"	NPT 1.1/2"	38	77,8	102	42,9	90	45	25	26	13,5	1/2" x 1.3/4"
AFS 108 N 2 U	3000 PSI	200	2"	NPT 2"	51	77,8	102	42,9	90	45	25	30	13,5	1/2" x 1.3/4"
AFS 110 N 2 1/2 U	3000 PSI	160	2.1/2"	NPT 2,1/2"	63	88,9	114	50,8	105	50	25	30	13,5	1/2" x 1.3/4"
AFS 112 N U	3000 PSI	138	3"	NPT 3"	73	106,4	134	61,9	124	50	27	34	17,5	5/8" x 2"
AFS 114 N U	3000 PSI	35	3.1/2"	NPT 3,1/2"	89	120,7	152	69,9	136	48	27	34	17,5	5/8" x 2"
AFS 116 N U	3000 PSI	35	4"	NPT 4"	99	130,2	162	77,8	146	48	27	34	17,5	5/8" x 2"
AFS 401 N U	6000 PSI	400	1/2"	NPT 1/2"	13	40,5	54	18,2	46	36	16	19	9,0	5/16" x 1.1/4"
AFS 401 N 3/8 U	6000 PSI	400	1/2"	NPT 3/8"	13	40,5	54	18,2	46	36	16	19	9,0	5/16" x 1.1/4"
AFS 402 N U	6000 PSI	400	3/4"	NPT 3/4"	19	50,8	71	23,8	55	35	21	22	11,0	3/8" x 1.1/2"
AFS 402 N 1/2 U	6000 PSI	400	3/4"	NPT 1/2"	13	50,8	71	23,8	55	35	21	22	11,0	3/8" x 1.1/2"
AFS 403 N U	6000 PSI	400	1"	NPT 1"	25	57,2	81	27,8	65	42	25	24	13,0	7/16" x 1.3/4"
AFS 403 N 3/4 U	6000 PSI	400	1"	NPT 3/4"	19	57,2	81	27,8	65	42	25	24	13,0	7/16" x 1.3/4"
AFS 404 N U	6000 PSI	400	1.1/4"	NPT 1,1/4"	32	66,7	95	31,8	78	45	27	25	13,5	1/2" x 1.3/4"
AFS 404 N 1 U	6000 PSI	400	1.1/4"	NPT 1"	25	66,7	95	31,8	78	45	27	25	13,5	1/2" x 1.3/4"
AFS 405 N U	6000 PSI	400	1.1/2"	NPT 1.1/2"	38	79,4	112	36,5	94	50	30	28	17,0	5/8" x 2"
AFS 405 N 1 1/4 U	6000 PSI	400	1.1/2"	NPT 1,1/4"	32	79,4	112	36,5	94	50	30	28	17,0	5/8" x 2"
AFS 406 N U	6000 PSI	400	2"	NPT 2"	51	96,8	134	44,5	114	65	37	30	21,0	3/4" x 2.1/2"
AFS 406 N 1 1/2 U	6000 PSI	400	2"	NPT 1.1/2"	38	96,8	134	44,5	114	65	37	30	21,0	3/4" x 2.1/2"

PN = nazivni tlak PB = maks. obratovalni tlak

Variante izdelka

AFS N (3000 PSI)	Uvojna prirobnica SAE, NPT, samo prirobnica
AFS N M (3000 / 6000 PSI)	Uvojna prirobnica SAE, NPT, s kompletom metričnih vijakov in tesnilnim obročem