

# SAE O-RING

SAE-O-tesnilo

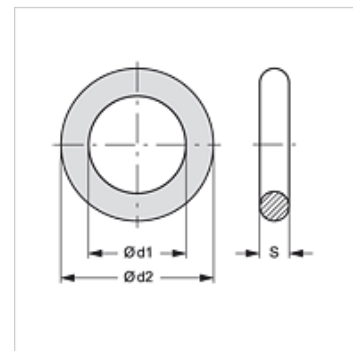
**HANSA FLEX**

## Lastnosti

Način izdelave SAE-O-tesnilo

Standard SAE J518

Material: NBR SH 90



## Artikel

Opis	Ø d1 (mm)	Ø d2 (mm)	S (mm)
SAE O-RING 1/2	18,66	25,72	3,53
SAE O-RING 3/4	25,00	32,06	3,53
SAE O-RING 1	32,92	39,98	3,53
SAE O-RING 1 1/4	37,70	44,76	3,53
SAE O-RING 1 1/2	47,22	54,28	3,53
SAE O-RING 2	56,75	63,81	3,53
SAE O-RING 2 1/2	69,45	76,51	3,53
SAE O-RING 3	85,32	92,38	3,53
SAE O-RING 3 1/2	98,02	105,08	3,53
SAE O-RING 4	110,72	117,78	3,53

## Variante izdelka

SAE O-RING V tesnilni obroč SAE FKM, FKM SH 90 ( Viton )