

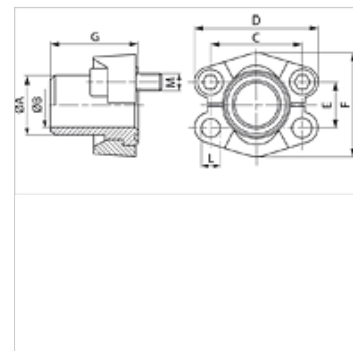
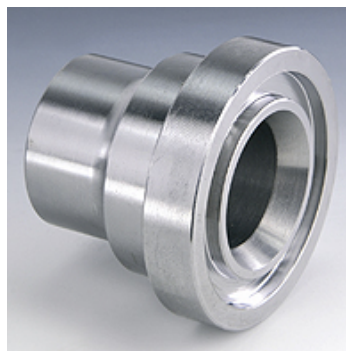
SFS (3000 PSI)

Varilni prirobnik SAE

HANSA FLEX

Lastnosti

| | |
|-----------------|-------------------------|
| Tlačna vrsta | 3000 psi |
| Standard | SAE J 518 C ISO 6162 |
| Oblika izdelave | ravno |
| Način izdelave | varilni prirobnik SAE |
| Obseg dobave | samo predvarjen rob |
| Material: | S355J2G3 (ST52.3) |



Navodilo

Navedeni najvišji obratovalni tlak velja za prirobnico! Dejanski obratovalni tlak se določa na osnovi cevi (debeline stene) in na osnovi kvalitete cevi!

Priporočeni vijaki so navedeni v stolpcih M (metr) ali M (unc).

Artikel

| Opis | PB 10.9 (bar) | Velikost | Cev | A (mm) | Ø B (mm) | C (mm) | D (mm) | E (mm) | F (mm) | G (mm) | L (mm) | M metr. | M unc |
|----------------|------------------|----------|-------------|-----------|-------------|-----------|-----------|-----------|-----------|-----------|-----------|-----------|----------------|
| SFS 3001 S 16 | 350 | 1/2" | 16 x 2 | 16,0 | 12,0 | 38,1 | 54 | 17,5 | 45,6 | 41 | 8,5 | M 8 x 30 | 5/16" x 1.1/4" |
| SFS 3001-21.3 | 350 | 1/2" | 21,3 x 4,7 | 22,0 | 15,5 | 38,1 | 54 | 17,5 | 45,6 | 41 | 8,5 | M 8 x 30 | 5/16" x 1.1/4" |
| SFS 3002-25 | 350 | 3/4" | 25 x 3 | 27,0 | 18,9 | 47,6 | 65 | 22,2 | 51,8 | 50 | 10,5 | M 10 x 30 | 3/8" x 1.1/4" |
| SFS 3002-26.9 | 350 | 3/4" | 26,9 x 3,9 | 27,0 | 18,9 | 47,6 | 65 | 22,2 | 51,8 | 50 | 10,5 | M 10 x 30 | 3/8" x 1.1/4" |
| SFS 3003-28 | 315 | 1" | 28 x 3 | 28,0 | 22,0 | 52,4 | 70 | 26,2 | 58,4 | 50 | 10,5 | M 10 x 35 | 3/8" x 1.1/4" |
| SFS 3003-30 | 315 | 1" | 30 x 4 | 30,0 | 22,0 | 52,4 | 70 | 26,2 | 58,4 | 50 | 10,5 | M 10 x 35 | 3/8" x 1.1/4" |
| SFS 3003-33.7 | 315 | 1" | 33,7 x 4,5 | 35,0 | 24,7 | 52,4 | 70 | 26,2 | 58,4 | 50 | 10,5 | M 10 x 35 | 3/8" x 1.1/4" |
| SFS 3003-38 | 315 | 1" | 38 x 5 | 38,0 | 28,0 | 52,4 | 70 | 26,2 | 58,4 | 50 | 10,5 | M 10 x 35 | 3/8" x 1.1/4" |
| SFS 3004-38 | 250 | 1.1/4" | 38 x 5 | 38,0 | 28,0 | 58,7 | 79 | 30,2 | 72,6 | 55 | *1 | *2 | 7/16" x 1.1/2" |
| SFS 3004-42.4 | 250 | 1.1/4" | 42,4 x 6,3 | 43,0 | 29,7 | 58,7 | 79 | 30,2 | 72,6 | 55 | *1 | *2 | 7/16" x 1.1/2" |
| SFS 3005-38 | 200 | 1.1/2" | 38 x 4 | 38,0 | 30,0 | 69,9 | 94 | 35,7 | 82,2 | 57 | 13,5 | M 12 x 35 | 1/2" x 1.1/2" |
| SFS 3005-42 | 200 | 1.1/2" | 42 x 5 | 42,0 | 32,0 | 69,9 | 94 | 35,7 | 82,2 | 57 | 13,5 | M 12 x 35 | 1/2" x 1.1/2" |
| SFS 3005-45 | 200 | 1.1/2" | 45 x 5 | 45,0 | 35,0 | 69,9 | 94 | 35,7 | 82,2 | 57 | 13,5 | M 12 x 35 | 1/2" x 1.1/2" |
| SFS 3005-48.3 | 200 | 1.1/2" | 48,3 x 7,1 | 49,0 | 34,0 | 69,9 | 94 | 35,7 | 82,2 | 57 | 13,5 | M 12 x 35 | 1/2" x 1.1/2" |
| SFS 3006-55 | 200 | 2" | 55 x 5 | 55,0 | 45,0 | 77,8 | 102 | 42,9 | 96,4 | 57 | 13,5 | M 12 x 35 | 1/2" x 1.1/2" |
| SFS 3006-60.3 | 200 | 2" | 60,3 x 8 | 60,3 | 44,0 | 77,8 | 102 | 42,9 | 96,4 | 57 | 13,5 | M 12 x 35 | 1/2" x 1.1/2" |
| SFS 3007-65 | 160 | 2.1/2" | 65 x 6 | 65,0 | 53,0 | 88,9 | 114 | 50,8 | 108,2 | 58 | 13,5 | M 12 x 40 | 1/2" x 1.3/4" |
| SFS 3007-70 | 160 | 2.1/2" | 70 x 7,5 | 70,0 | 55,0 | 88,9 | 114 | 50,8 | 108,2 | 58 | 13,5 | M 12 x 40 | 1/2" x 1.3/4" |
| SFS 3007-76.1 | 160 | 2.1/2" | 76,1 x 7,1 | 74,0 | 62,0 | 88,9 | 114 | 50,8 | 108,2 | 58 | 13,5 | M 12 x 40 | 1/2" x 1.3/4" |
| SFS 3008-80 | 138 | 3" | 80 x 6 | 80,0 | 68,0 | 106,4 | 135 | 61,9 | 130,6 | 60 | 16,7 | M 16 x 45 | 5/8" x 2" |
| SFS 3008-88.9 | 138 | 3" | 88,9 x 8 | 90,0 | 73,0 | 106,4 | 135 | 61,9 | 130,6 | 60 | 16,7 | M 16 x 45 | 5/8" x 2" |
| SFS 3009-100 | 35 | 3.1/2" | 100 x 6 | 100,0 | 88,0 | 120,7 | 152 | 69,9 | 139,0 | 60 | 17,0 | M 16 x 45 | 5/8" x 2" |
| SFS 3009-88.9 | 35 | 3.1/2" | 88,9 x 8 | 90,0 | 73,0 | 120,7 | 152 | 69,9 | 139,0 | 60 | 17,0 | M 16 x 45 | 5/8" x 2" |
| SFS 3010-110 | 35 | 4" | 110 x 6 | 110,0 | 98,0 | 130,2 | 162 | 77,8 | 152,0 | 60 | 17,0 | M 16 x 50 | 5/8" x 2" |
| SFS 3010-114.3 | 35 | 4" | 114,3 x 8,8 | 115,0 | 96,7 | 130,2 | 162 | 77,8 | 152,0 | 60 | 17,0 | M 16 x 50 | 5/8" x 2" |
| SFS 3011-133 | 35 | 5" | 133 x 6,5 | 133,0 | 120,0 | 152,4 | 184 | 92,1 | 180,0 | 60 | 17,0 | M 16 x 50 | 5/8" x 2" |
| SFS 3011-139.7 | 35 | 5" | 139,7 x 10 | 140,0 | 120,0 | 152,4 | 184 | 92,1 | 180,0 | 60 | 17,0 | M 16 x 50 | 5/8" x 2" |

PN = nazivni tlak PB = maks. obratovalni tlak

*1) = izbirno 10,5 ali 12,5 - *2) = izbirno M 10 x 30 ali M 12 x 35

Variante izdelka

| | |
|------------------|---|
| SFS M (3000 PSI) | Varilni prirobnik SAE, z 2 polprirobnicama, kompletom vijakov in O-tesnilom |
| SFS U (3000 PSI) | Varilni prirobnik SAE, z 2 polprirobnicama, kompletom vijakov in O-tesnilom |