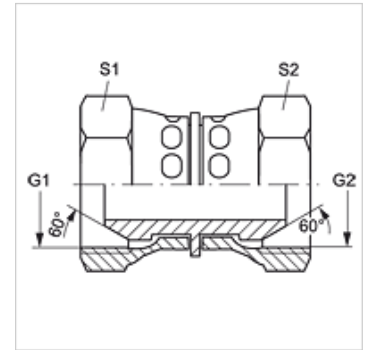


Lastnosti

Priključek 1	matični navoj BSP
Oblika tesnila 1	60° zunanji konus
Priključek 2	matični navoj BSP
Oblika tesnila 2	60° zunanji konus
Način izdelave	vezniki
Oblika izdelave	ravno
Material:	jeklo
Zaščita površine	galvanično prevlečeno



Artikel

Opis	G1	G2	S1	S2
G AB 02	G 1/8" -28	G 1/8" -28	14	14
G AB 04 AB 02	G 1/4" -19	G 1/8" -28	19	14
G AB 04	G 1/4" -19	G 1/4" -19	19	19
G AB 06 AB 04	G 3/8" -19	G 1/4" -19	22	19
G AB 06	G 3/8" -19	G 3/8" -19	22	22
G AB 08 AB 04	G 1/2" -14	G 1/4" -19	27	19
G AB 08 AB 06	G 1/2" -14	G 3/8" -19	27	22
G AB 08	G 1/2" -14	G 1/2" -14	27	27
G AB 10 AB 06	G 5/8" -14	G 3/8" -19	30	22
G AB 10 AB 08	G 5/8" -14	G 1/2" -14	30	27
G AB 10	G 5/8" -14	G 5/8" -14	30	30
G AB 12 AB 06	G 3/4" -14	G 3/8" -19	32	22
G AB 12 AB 08	G 3/4" -14	G 1/2" -14	32	27
G AB 12 AB 10	G 3/4" -14	G 5/8" -14	32	30
G AB 12	G 3/4" -14	G 3/4" -14	32	32
G AB 16 AB 06	G 1" -11	G 3/8" -19	41	22
G AB 16 AB 08	G 1" -11	G 1/2" -14	41	27
G AB 16 AB 12	G 1" -11	G 3/4" -14	41	32
G AB 16	G 1" -11	G 1" -11	41	41
G AB 20 AB 16	G 1,1/4" -11	G 1" -11	50	41
G AB 20	G 1,1/4" -11	G 1,1/4" -11	50	50
G AB 24	G 1,1/2" -11	G 1,1/2" -11	60	60
G AB 32	G 2" -11	G 2" -11	70	70

SW, S1, S2 = ključna širina

Variante izdelka

G AB VA Spojniki, nerjavno jeklo